



Wiring Kit Application Guide

ARB 4x4 ACCESSORIES

Corporate Head Office
www.arb.com.au

42-44 Garden St
Kilsyth, Victoria
AUSTRALIA 3137

Tel: +61 (3) 9761 6622
Fax: +61 (3) 9761 6807

Australian enquiries
North & South American enquiries
Other international enquiries

sales@arb.com.au
sales@arbusa.com
exports@arb.com.au

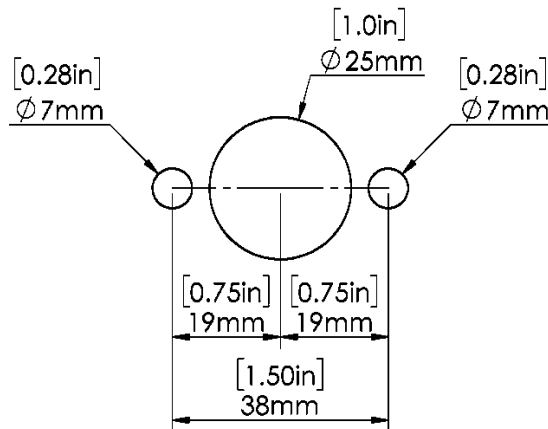
WARNING

- ◆ This document is a guide only, refer to the supplied kit instructions for full detail
- ◆ The installation is in the vicinity of SRS curtain airbags, take extreme caution not to disturb or obstruct airbags
- ◆ Model variants may change between regions and manufacture date which these instructions may not account for
- ◆ Always double check locations before drilling ensuring the path underneath the roof skin is clear and the rubber boot is long enough to reach the rack/device
- ◆ Roof linings are easily damaged by creasing/bending as well as dirt and grease marks
- ◆ Work safely at all times
- ◆ These instructions are correct as at the publication date

Contents

Contents	2
Hole layout.....	2
Wagon/SUV.....	3
Nissan.....	3
Patrol Y62	3
Toyota.....	3
Prado LWB 150	3
Land Cruiser 200	4
Pickup/Utility Cabin	5
Ford	5
Ranger T6 DC PX I, II, III (Non-North America)	5
Ranger T6 DC 2019-on (North America only)	5
Isuzu	6
DMax DC '21-on	6
Mazda	6
BT50 DC '21-on	6
Toyota.....	7
Hilux DC 2005-2010	7
Hilux DC 2015 on	7

Hole layout

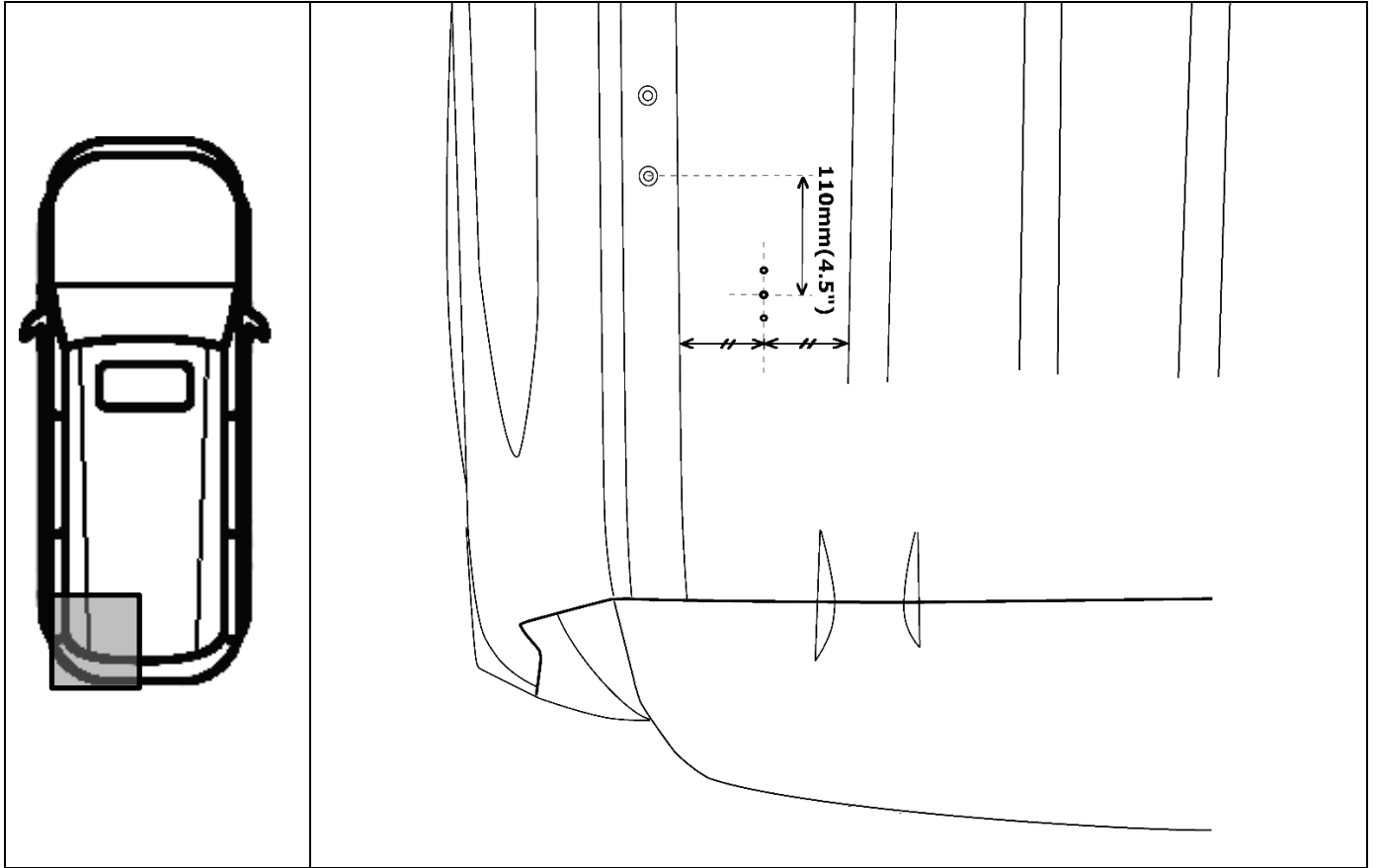


Not to scale

Wagon/SUV

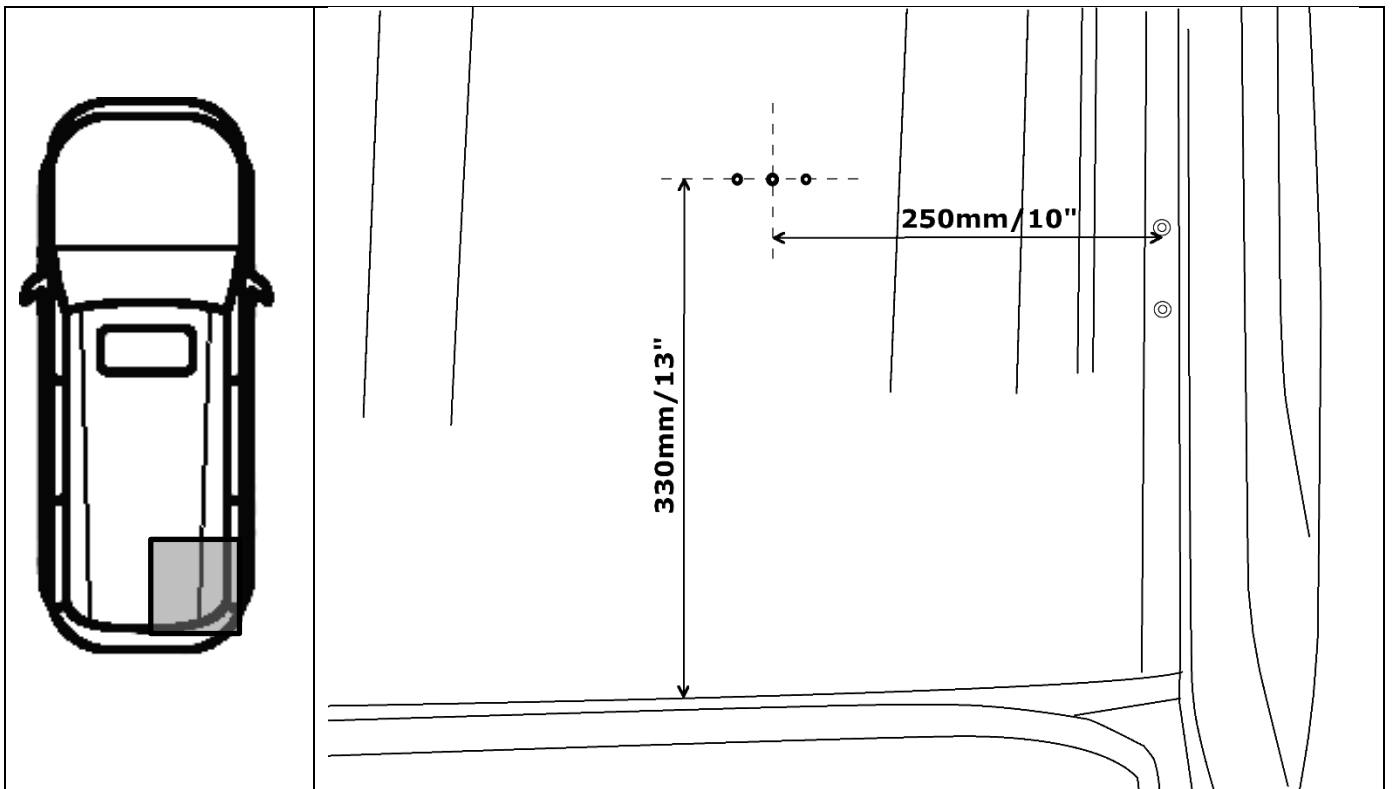
Nissan

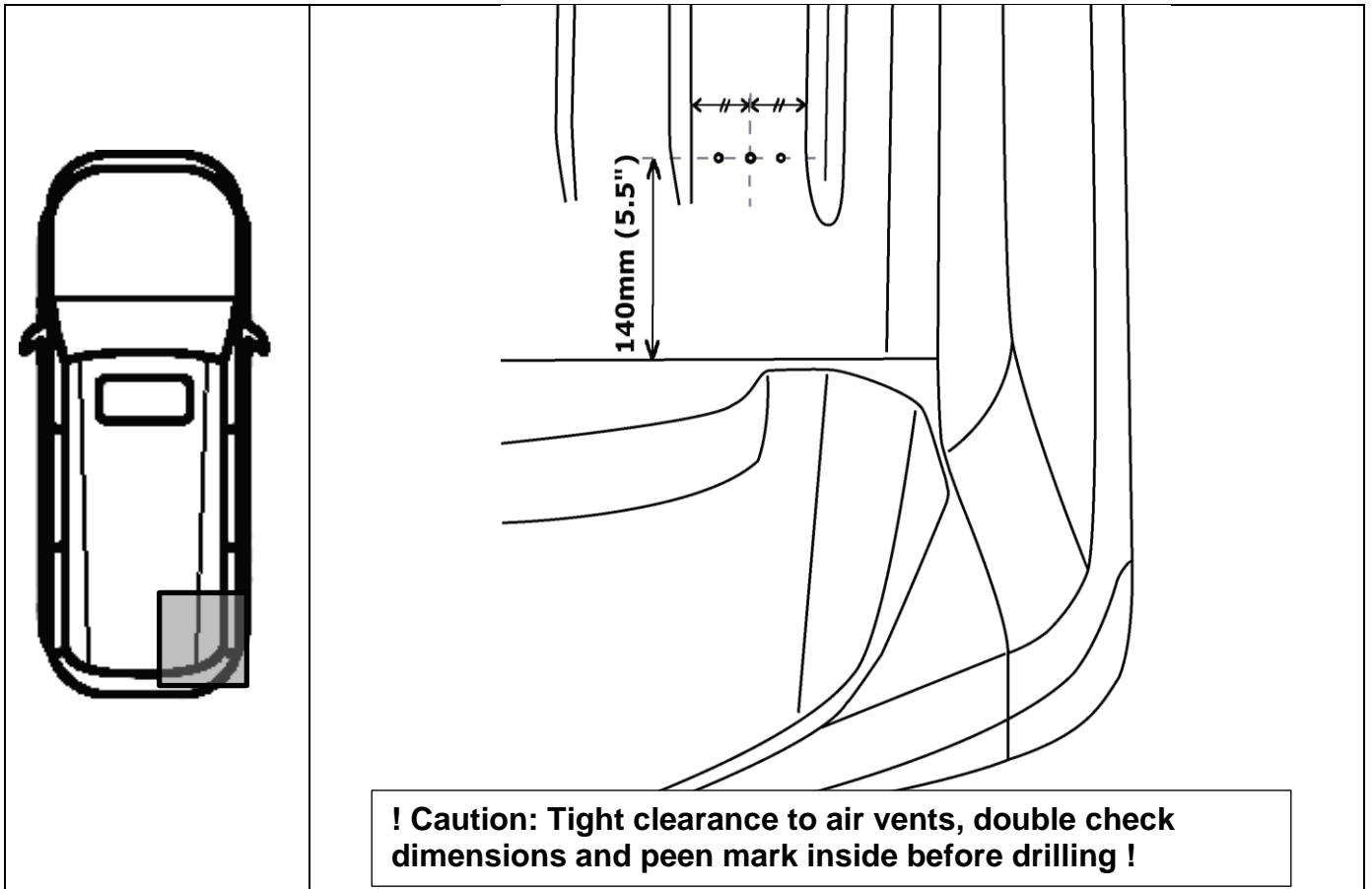
Patrol Y62



Toyota

Prado LWB 150

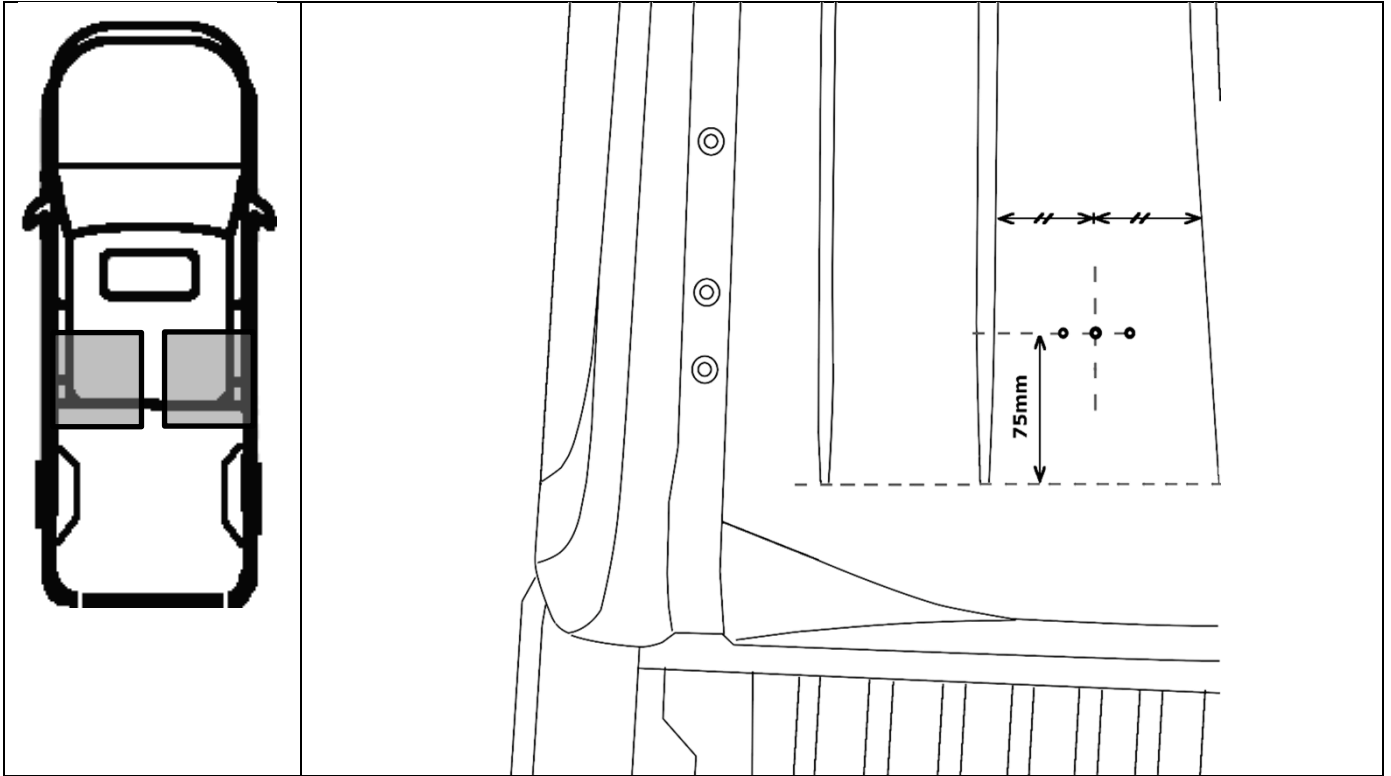




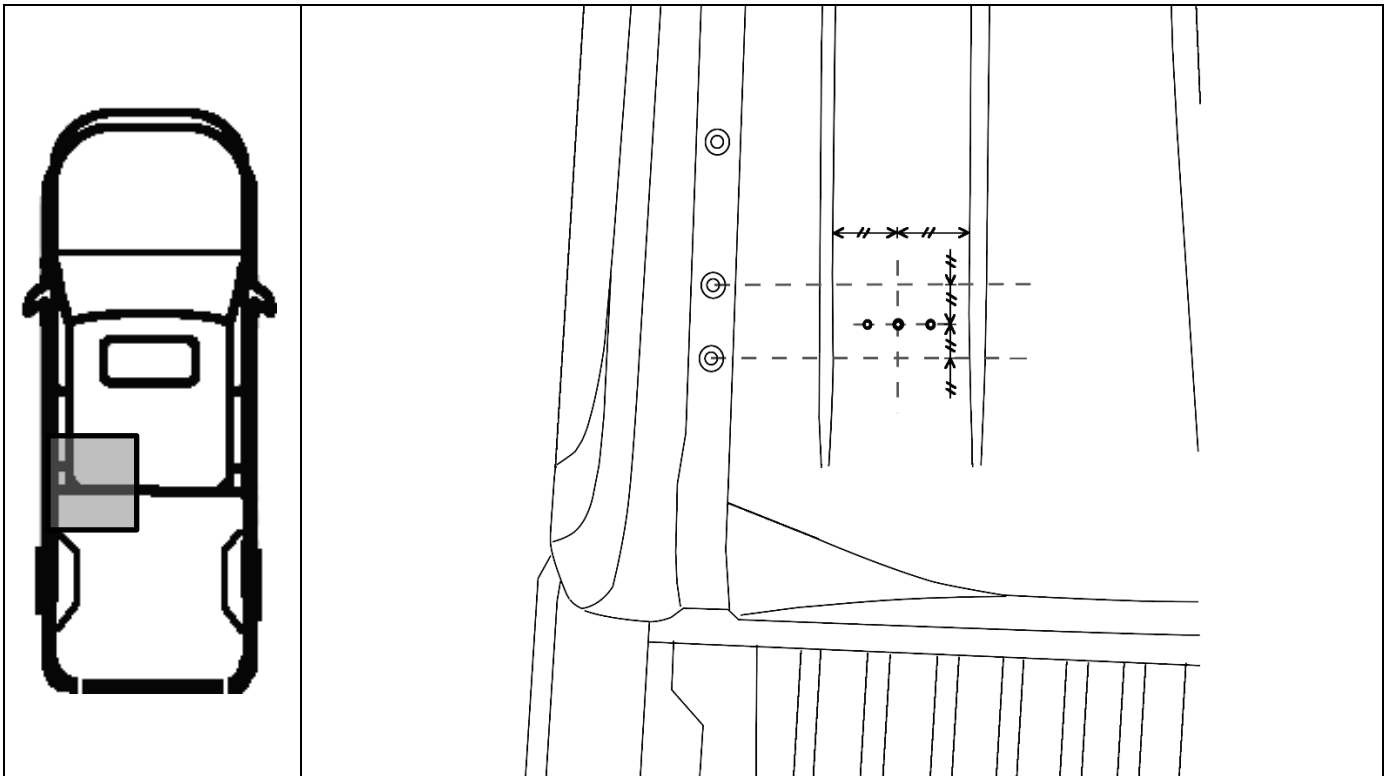
Pickup/Utility Cabin

Ford

Ranger T6 DC PX I, II, III (Non-North America)

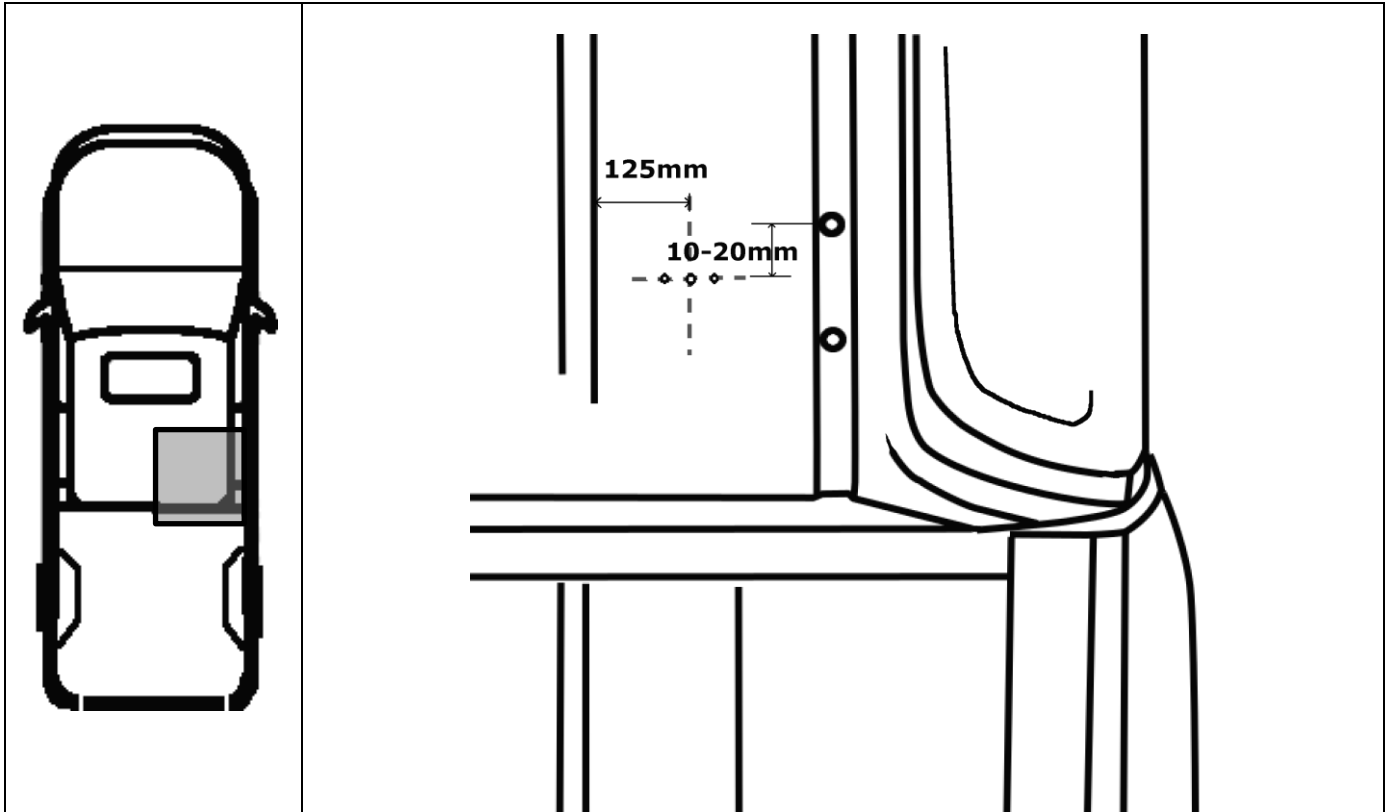


Ranger T6 DC 2019-on (North America only)



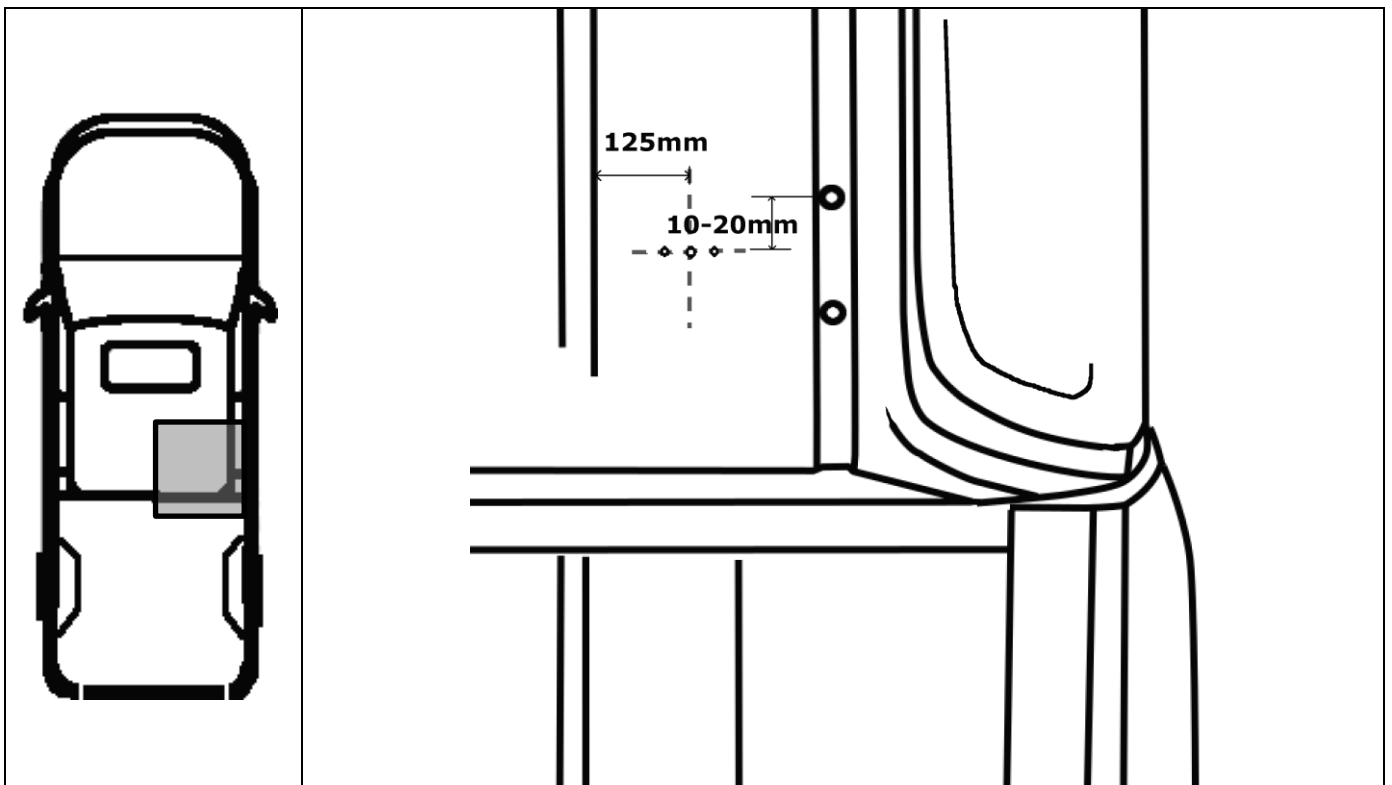
Isuzu

DMax DC '21-on



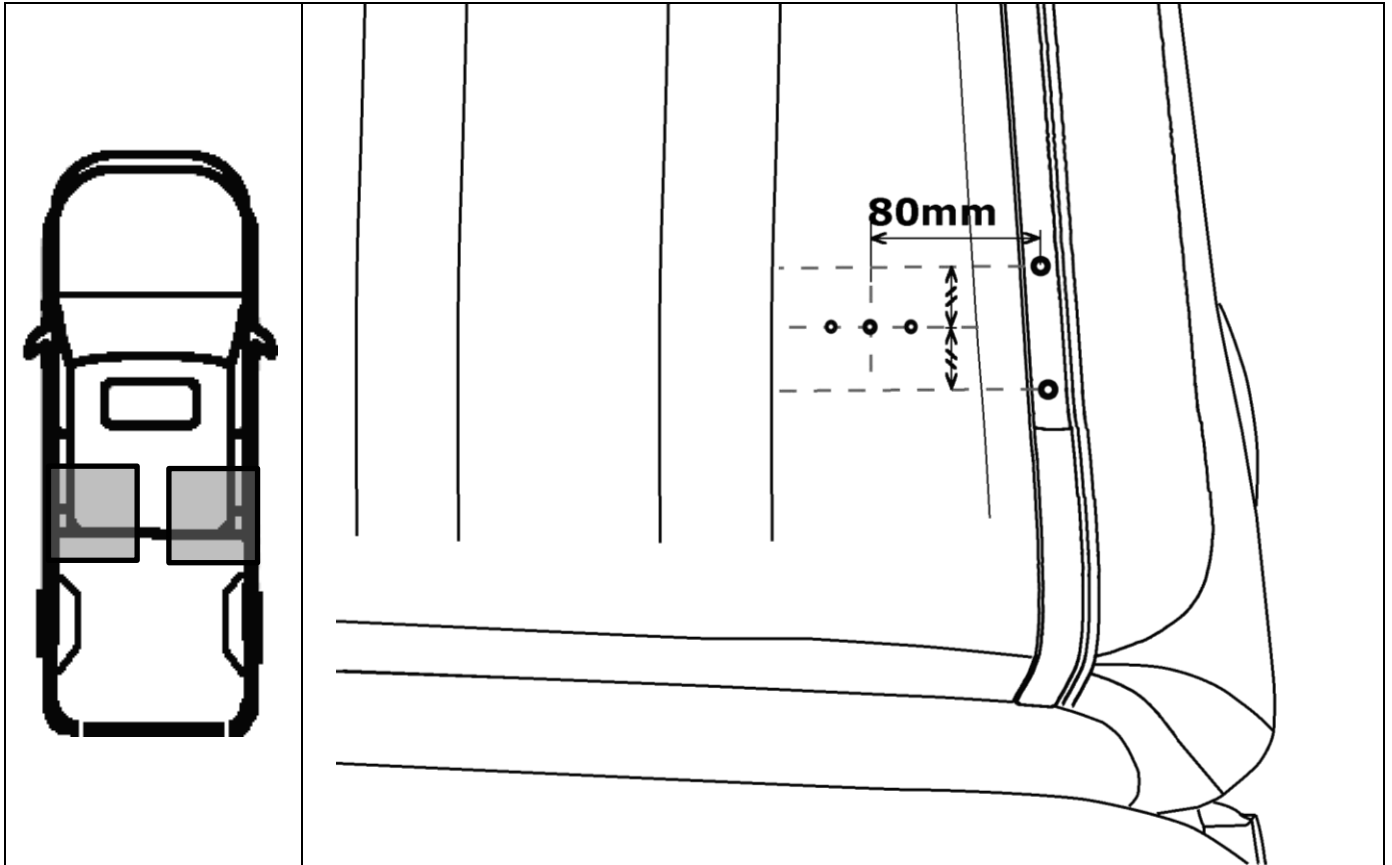
Mazda

BT50 DC '21-on



Toyota

Hilux DC 2005-2010



Hilux DC 2015 on

