

RHINO-RACK®

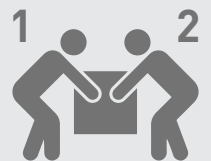
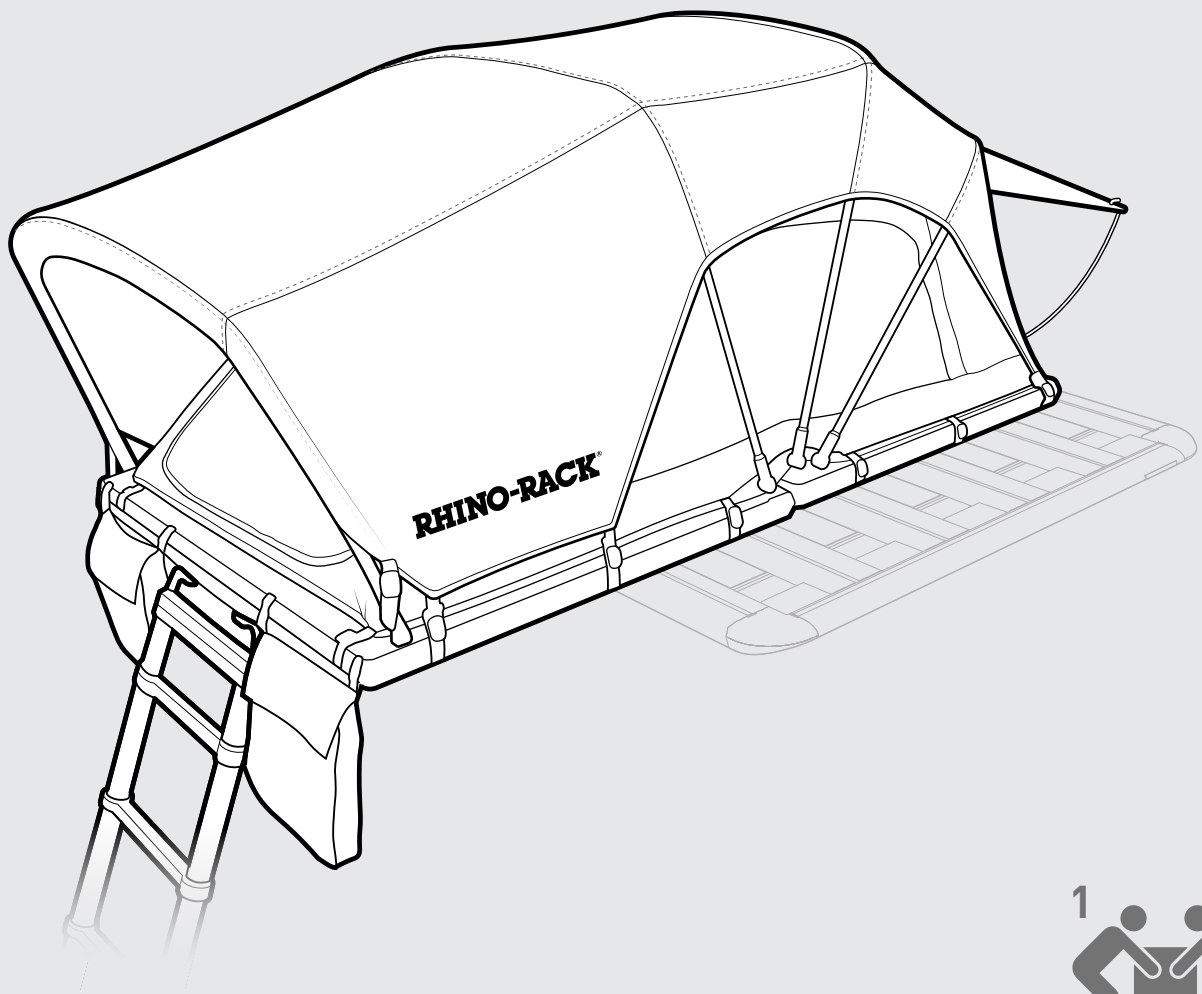
Soft shell Roof Top Tent - 2 Person

61026

Important:

1. Check the Rhino-Rack website to ensure you have the latest issue of these instructions.
2. Please refer to your fitting instruction to ensure that the roof racks are installed in the correct locations.
3. Check the contents of kit before commencing fitment and report any discrepancies.
4. These instructions must be followed for warranty to be upheld.

Fit Time: 30 mins



RHINORACK.COM

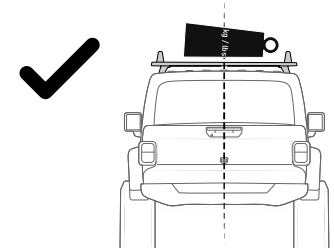
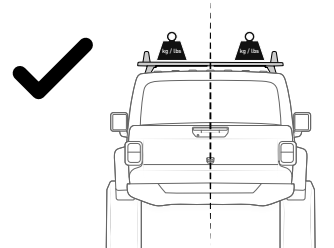
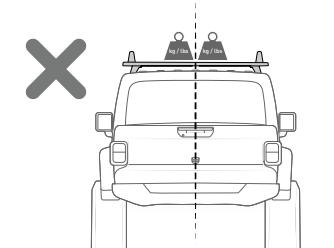
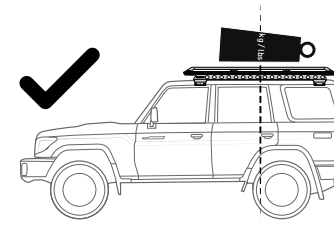
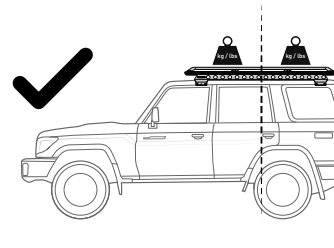
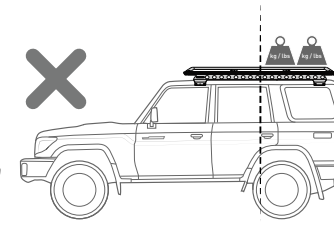
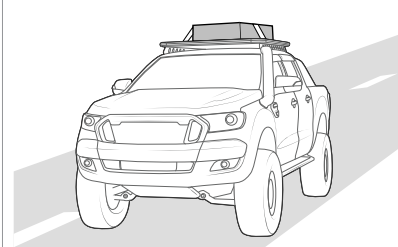

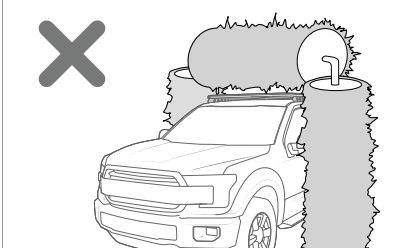
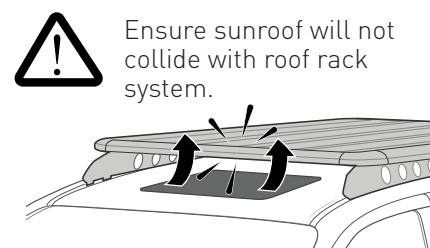
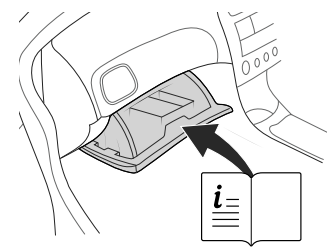
Doc. No: 520-RFI-00176

Issue No: 03

Issue Date: 21/12/2023

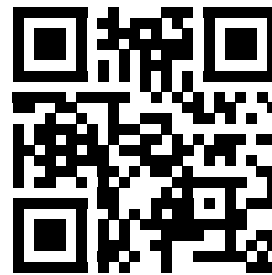
CONTENTS

<p>2 - General Warnings</p> <p>3 - Ladder and Safety Notes Before Use Ladder and Tent Positioning Using the Ladder Entrance Location</p> <p>5 - Roof Rack Carrying Capacity</p> <p>6 - Dimensions Closed Dimensions Opened Dimensions Tent Overview</p> <p>7 - Parts List</p> <p>8 - Mounting Options</p>	<p>10 - Unpacking Contents</p> <p>11 - Installation Determine Your Required Configuration</p> <p>12 - Mount Bracket + Tent</p> <p>19 - Tent Usage Opening The Hardshell Ladder Set Up</p> <p>22 - Tent Set Up</p> <p>23 - Led Light Bar</p> <p>24 - Tent Stowage</p> <p>27 - Tent Removal</p> <p>28 - Appendix Repositioning Underbars</p> <p>34 - Writing Space for Notes</p>
--	---

			<p>Distribute loads evenly and longitudinally as low as possible over the span.</p>
			<p>Avoid point loads concentrated at the front or rear.</p>
	<p>Exercise extreme care when transporting wind-resistant loads. Special consideration must be taken when cornering and braking.</p>		<p>Off-road conditions can be much more rigorous. Extreme care must be taken on any driven path that does not contain a surface protection layer (tar/bitumen).</p>
	<p>Racks must be removed when vehicle is put through an automatic car wash.</p>		<p>Ensure sunroof will not collide with roof rack system.</p>
			

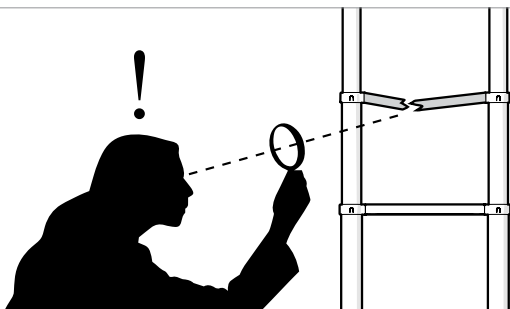


Youtube.com/Rhinorackaustralia

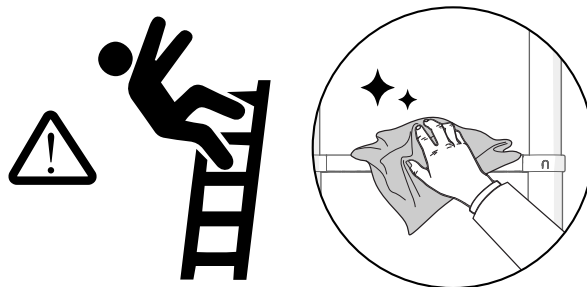


LADDER AND SAFETY NOTES

BEFORE USE



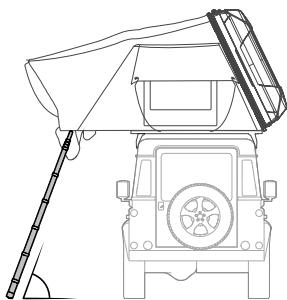
Inspect operation of ladder locks, rungs and telescopic parts before use each time. Do not use if damaged.



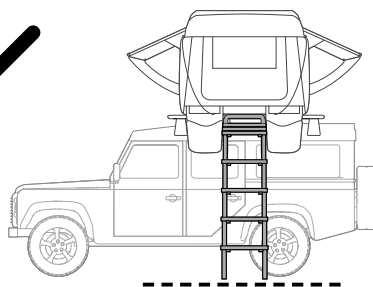
Remove any slippery contaminants from the ladder rungs such as mud, oil, grass or snow to ensure a secure grip.

LADDER AND TENT POSITIONING

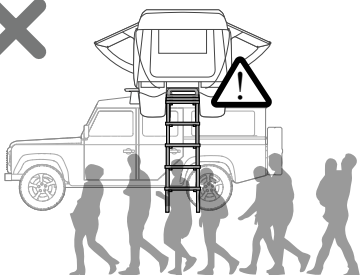
**MAX
75°**



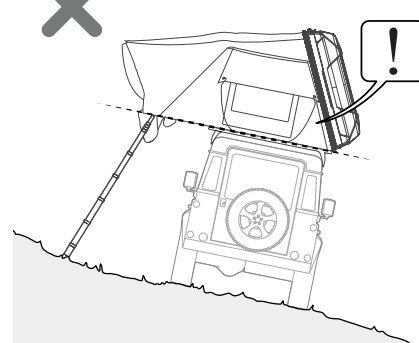
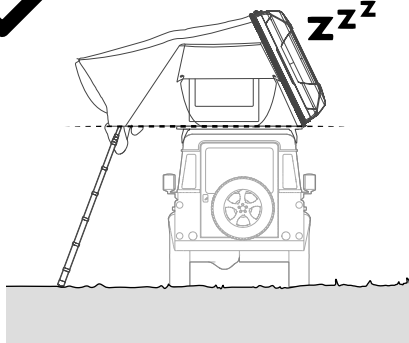
Inclination angle should not exceed 75 degrees.



Ladder should be positioned on an even, level and unmovable surface.

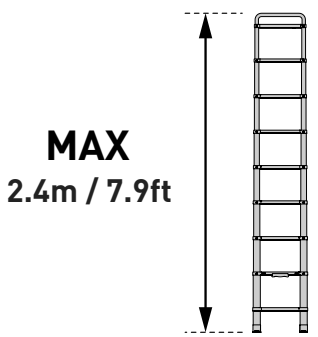


Position ladder away from high traffic areas as ladder positioning may be disturbed and may risk security of positioning.



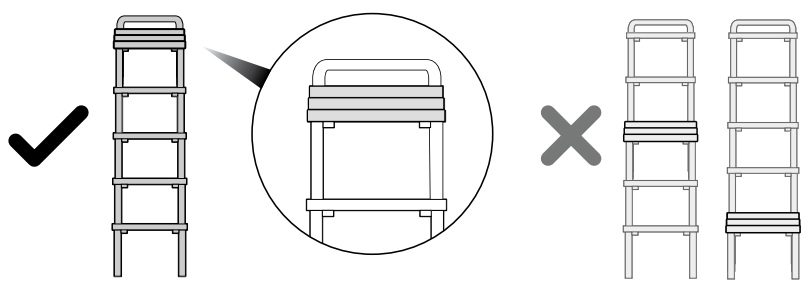
Be mindful of the terrain you choose to park on. An inclined ground will mean an inclined sleep.

USING THE LADDER



MAX
2.4m / 7.9ft

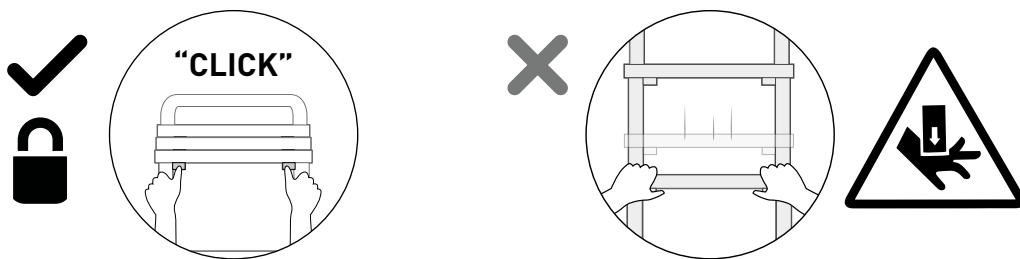
Maximum vehicle roof height that the ladder can accommodate is **2.4m / 7.9ft**



Collapse **ONLY** the **top-most** ladder rungs.

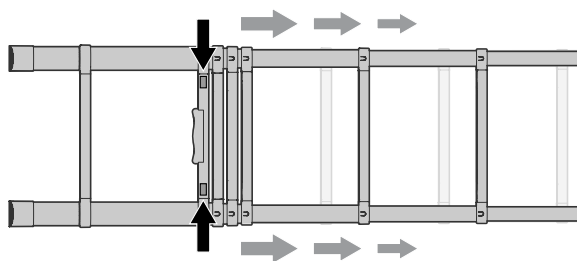
LADDER AUTOMATIC LOCKS:

The PUSH locks found on both ends of each ladder rungs. When both PUSH locks are pressed simultaneously, the side rail and rungs above the lock collapses inside the telescopic rail. To lengthen and lock the ladder in position, extend the ladder rung and side rail and the lock 'clicks' automatically.



RETRACTING THE LADDER:

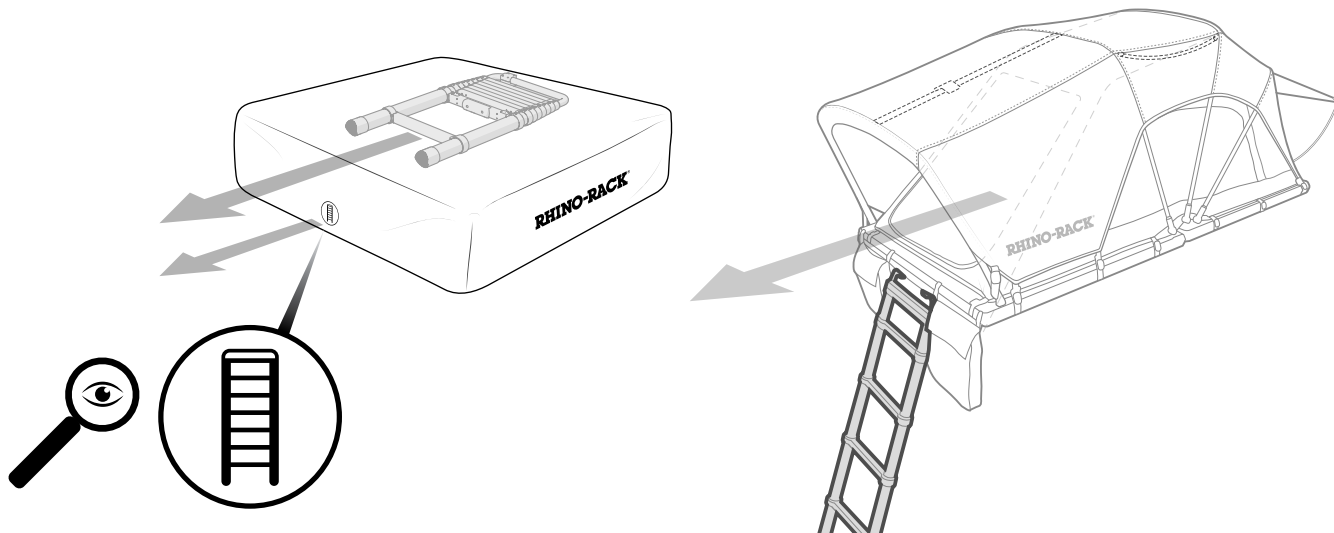
When both SLIDE locks are slid simultaneously, the side rail and rungs above the lock collapses inside the telescopic rail. To lengthen and lock the ladder in position, extend the ladder rung and side rail and the lock 'clicks' automatically.



ENTRANCE LOCATION

Look for the ladder symbol on your tent cover to identify entrance location.

NOTE: Always orient cover correctly when stowing tent away.

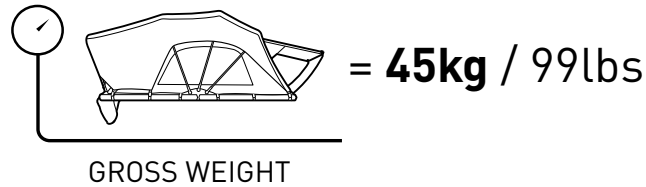


Roof Rack Carrying Capacity

Check your vehicle owners hand book for vehicle maximum carrying capacity.

Please ensure you use the vehicle manufacturer's maximum roof allowance if it is lower than the figure listed in this instruction.

IMPORTANT: Ensure your vehicle roof has a load rating higher than the weight of both the tent and any mounted accessories, and a static load limit that can support the tent in use.



Tent Weight Capacity = **300kg / 661bs**

Warning

- Do not attempt to fit the accessory to your vehicle unless you fully understand these fitting instructions. Please direct any questions regarding fitting to the dealer from where the product was purchased.
- Off-road conditions can be much more rigorous. Extreme care must be taken in off road conditions.
- Rooftop Tent and Roof Rack System must be removed when vehicle is put through an automatic car wash.
- Ensure product is locked before driving.

In service maintenance checks

- All bolt connections should be checked after driving a short distance when you first install your roof racks.
- All bolted connections should be checked again at regular intervals (weekly is recommended, depending on road conditions, usage, loads and distances travelled).
- All bolted connections should be checked each time they are re-fitted.
- Off-road conditions are more rigorous. Check all bolted connections and your load more regularly.
- Ensure that your vehicle manufacturer's GVM, and gross axle weights are not exceeded (refer to vehicle owner's manual).

Sensitivity to Crosswinds, Behaviour in Curves and Braking.

Remember that the handling characteristics of your vehicle will change when transporting a load on the roof.

Exercise extreme care when transporting wind-resisting loads; special consideration must be taken into account when braking.

Note for Dealers and Fitters

It is your responsibility to ensure these fitting instructions are given to the end user or client. These instructions remain the property of Rhino-Rack Australia Pty. Ltd. and may not be used or changed for any other purpose than intended.

Warranty

We love creating our products for you and hope you love using them too.

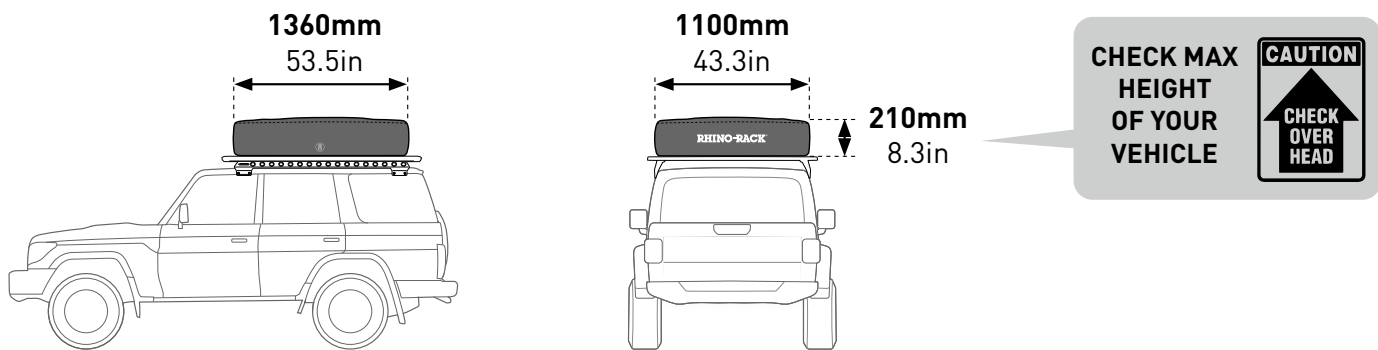
For complete peace of mind, register your product at www.rhinorack.com/warranty.

This way, we can quickly help you with any future approved fitment warranty claims.

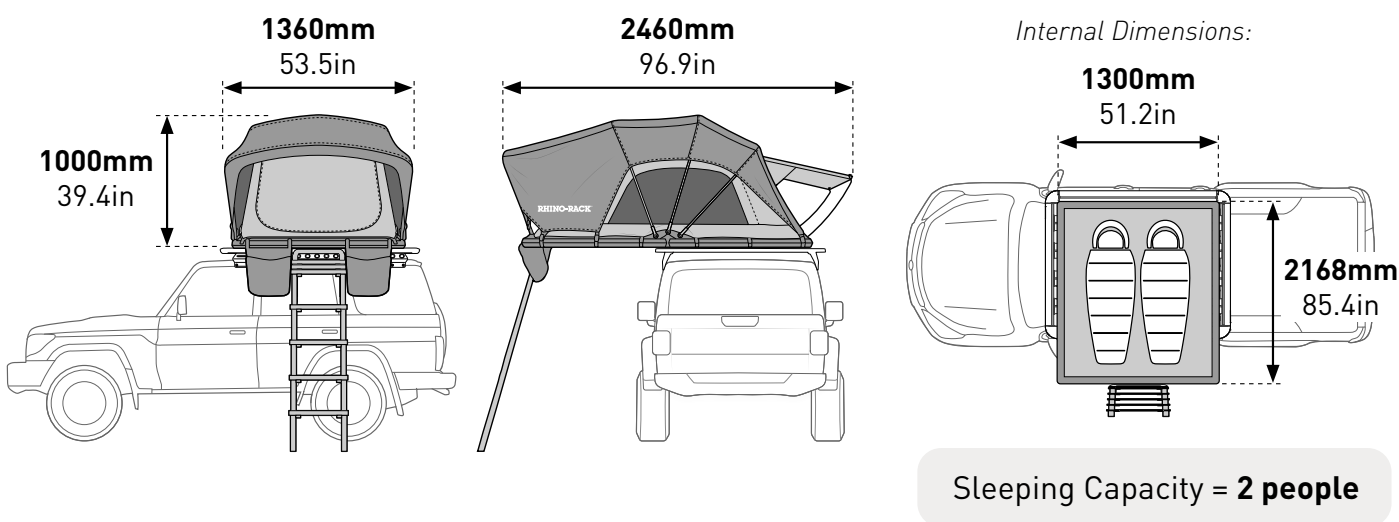
And remember – never to forget to **Make Space For Adventure!**

DIMENSIONS

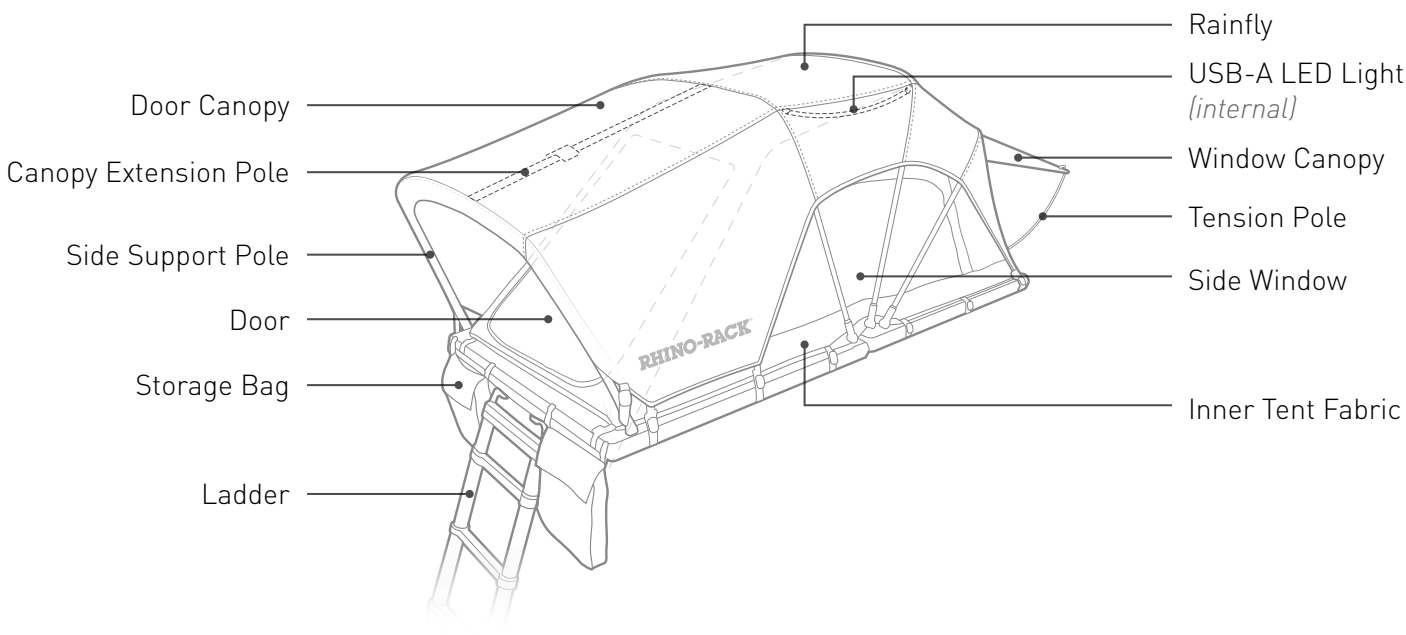
CLOSED DIMENSIONS



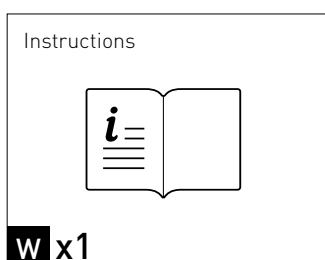
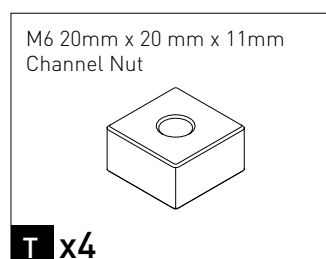
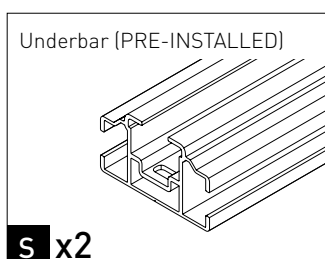
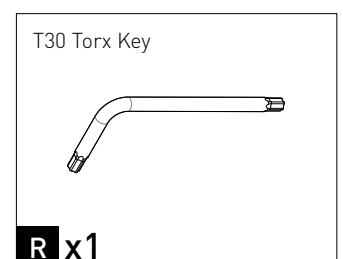
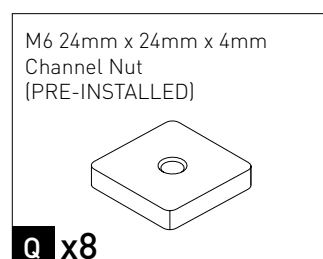
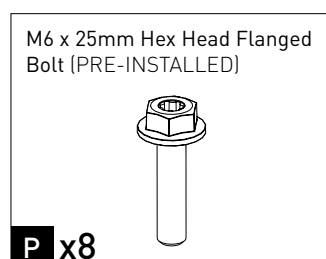
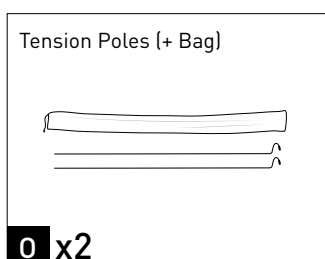
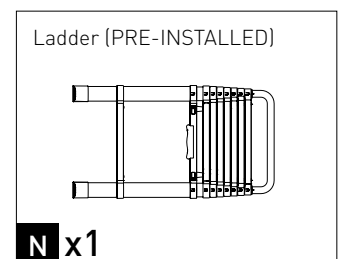
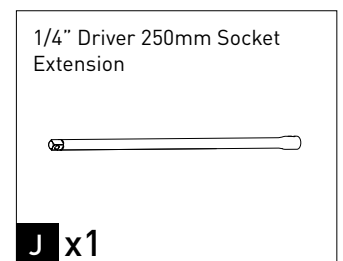
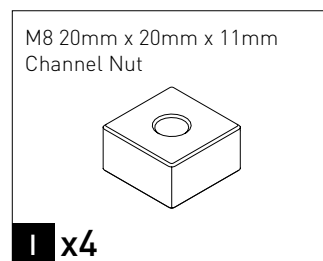
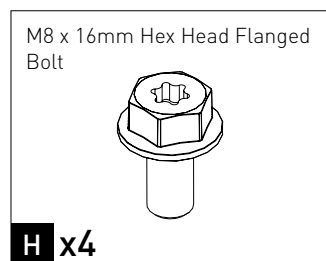
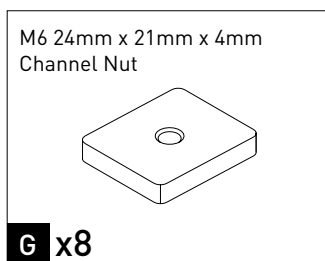
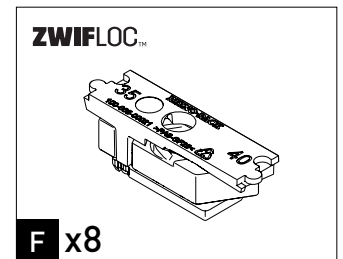
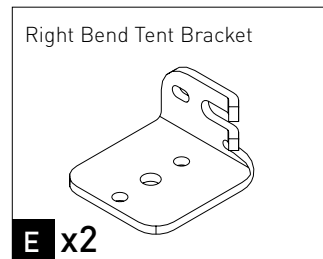
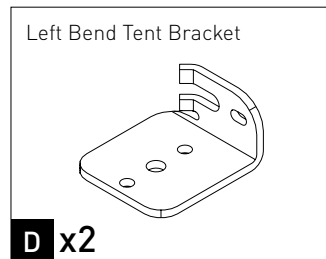
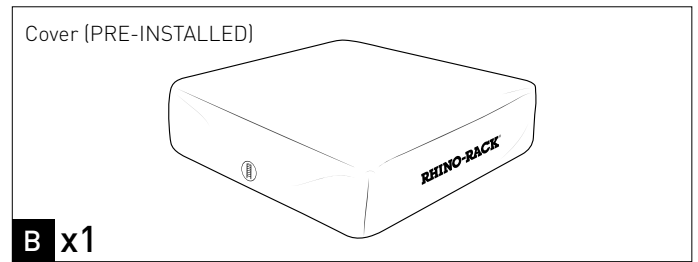
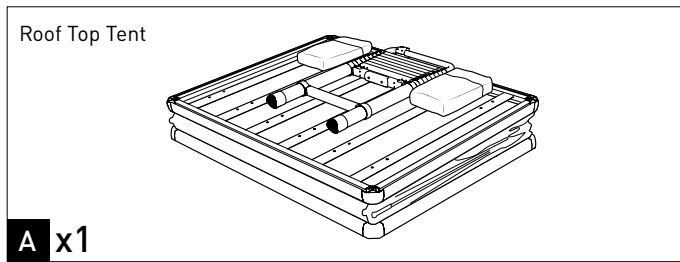
OPENED DIMENSIONS



TENT OVERVIEW



Parts



TOOL REQUIRED:

- T1** - 1/4" Socket Ratchet
- T2** - 10mm Open Ended Spanner
- T3** - 2 x Step Ladders
- T4** - USB-A Powerbank (Optional for included LED light bar)
- T5** - x2 Large Towels / Table cloth (If underbars need to be repositioned)

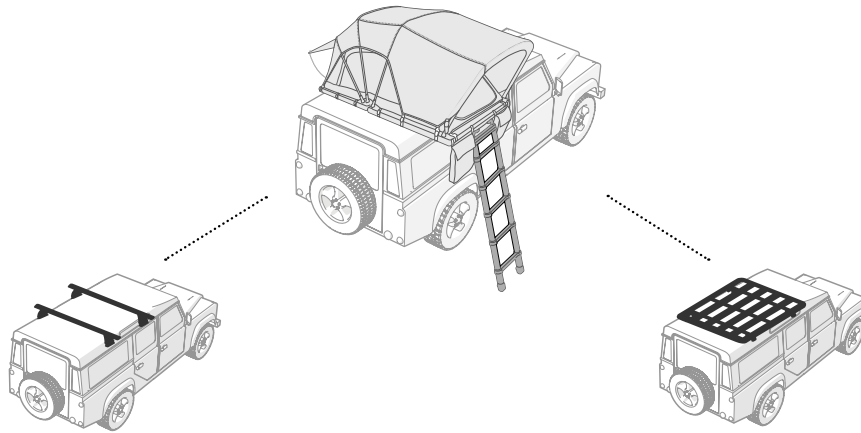
Example:

T2



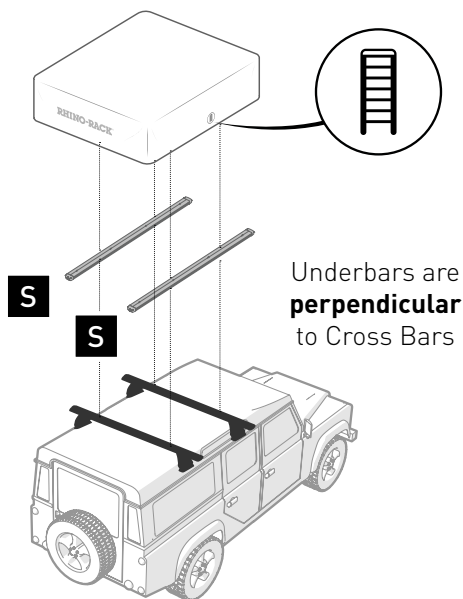
Tent underbars (**S**) must be oriented correctly according to your roof rack system. Refer to the SET UPS below to determine your required underbar mounting orientation.

FOR SIDE OPENING TENTS



SET UP 1

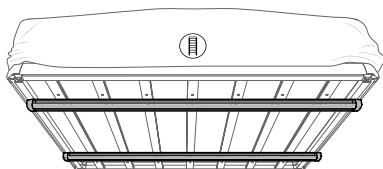
[Cross Bar - Side opening]



The underbars are **pre-installed** for Side Opening tents on Cross Bars.

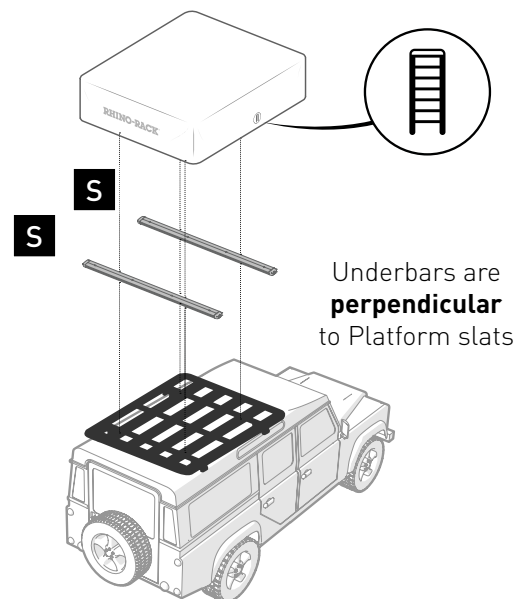
Config.

A



SET UP 2

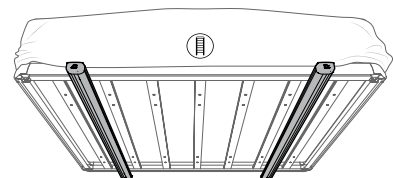
[Platform - Side opening]



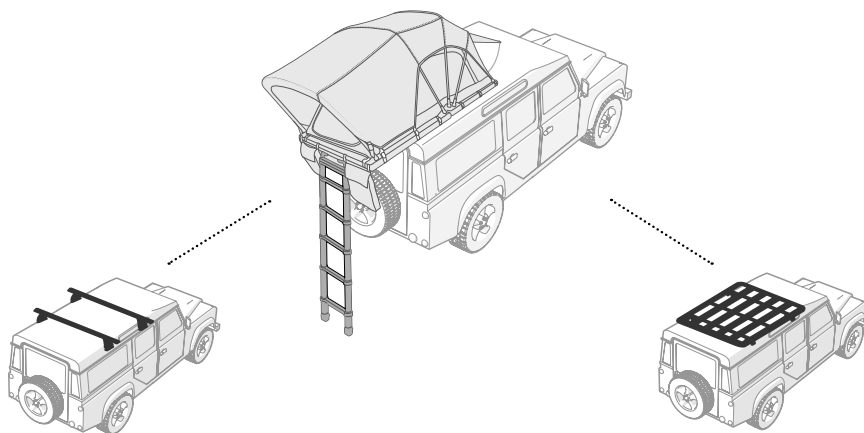
Reposition underbars on Page 28 before commencing installation on Page 12.

Config.

B

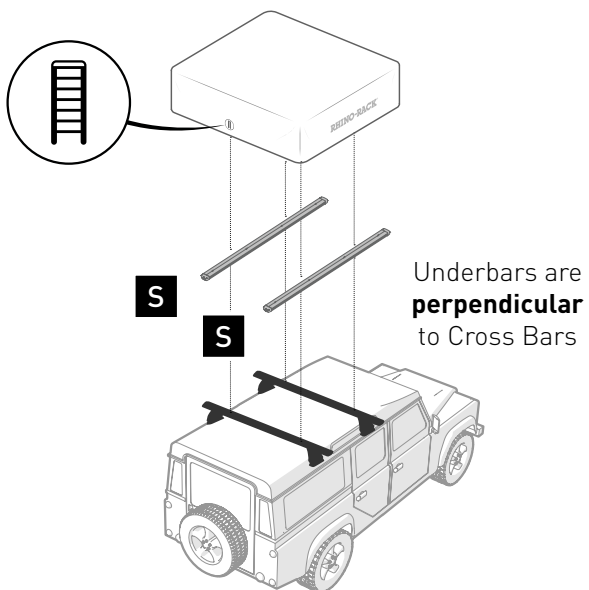


FOR REAR OPENING TENTS



SET UP 3

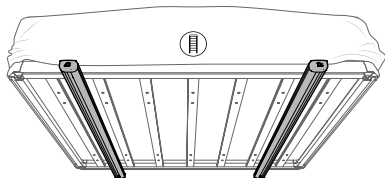
[Cross Bar - Rear opening]



Reposition underbars on Page 28 before commencing installation on Page 12.

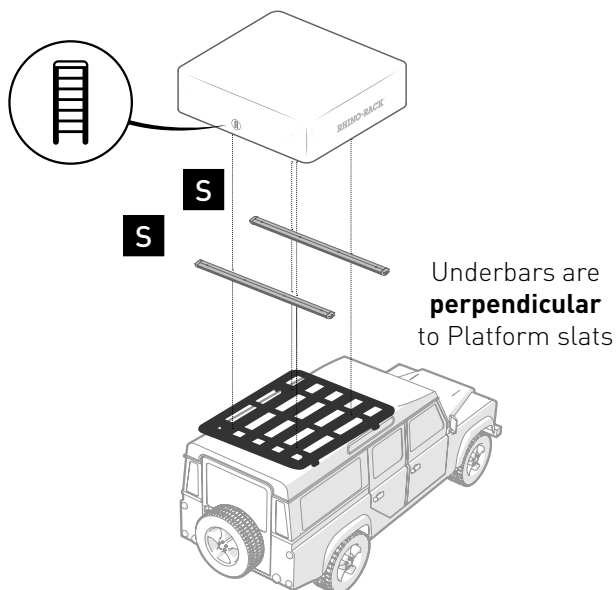
Config.

B



SET UP 4

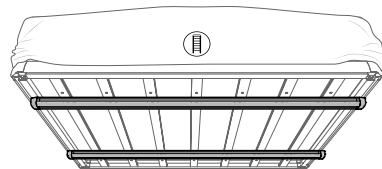
[Platform - Rear opening]

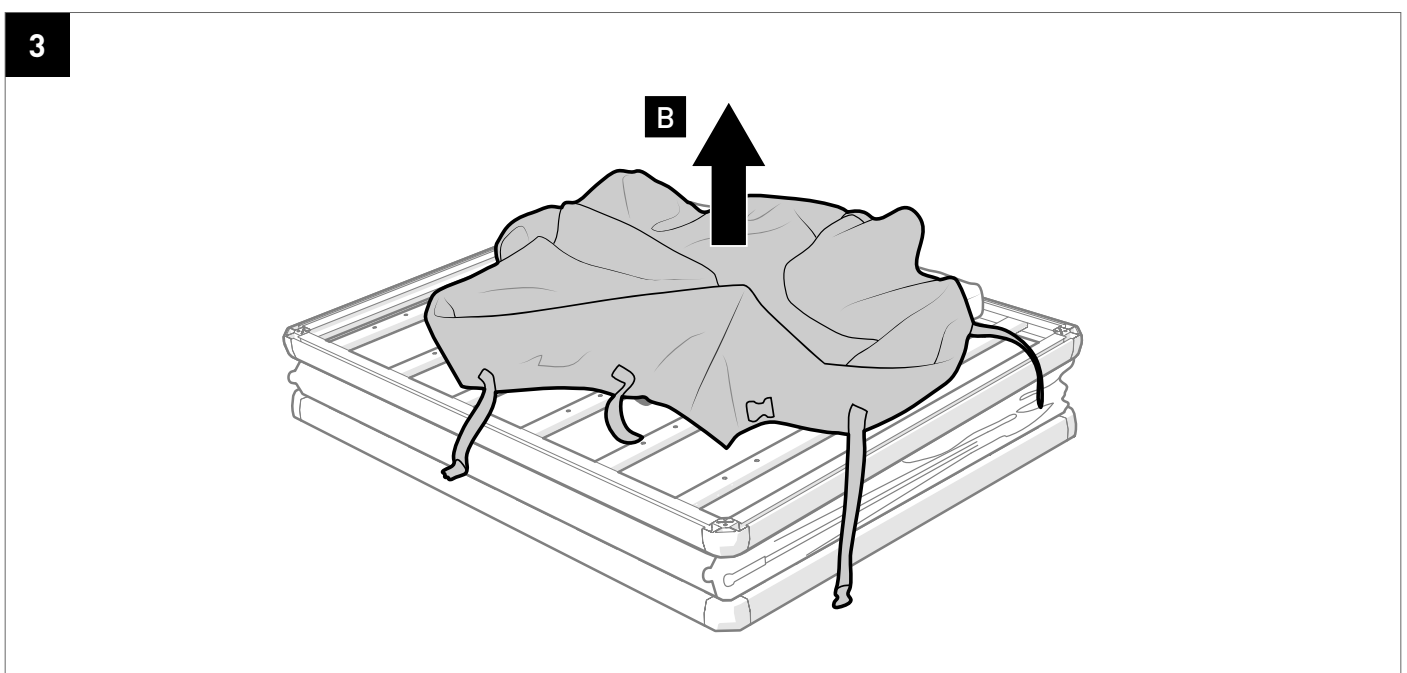
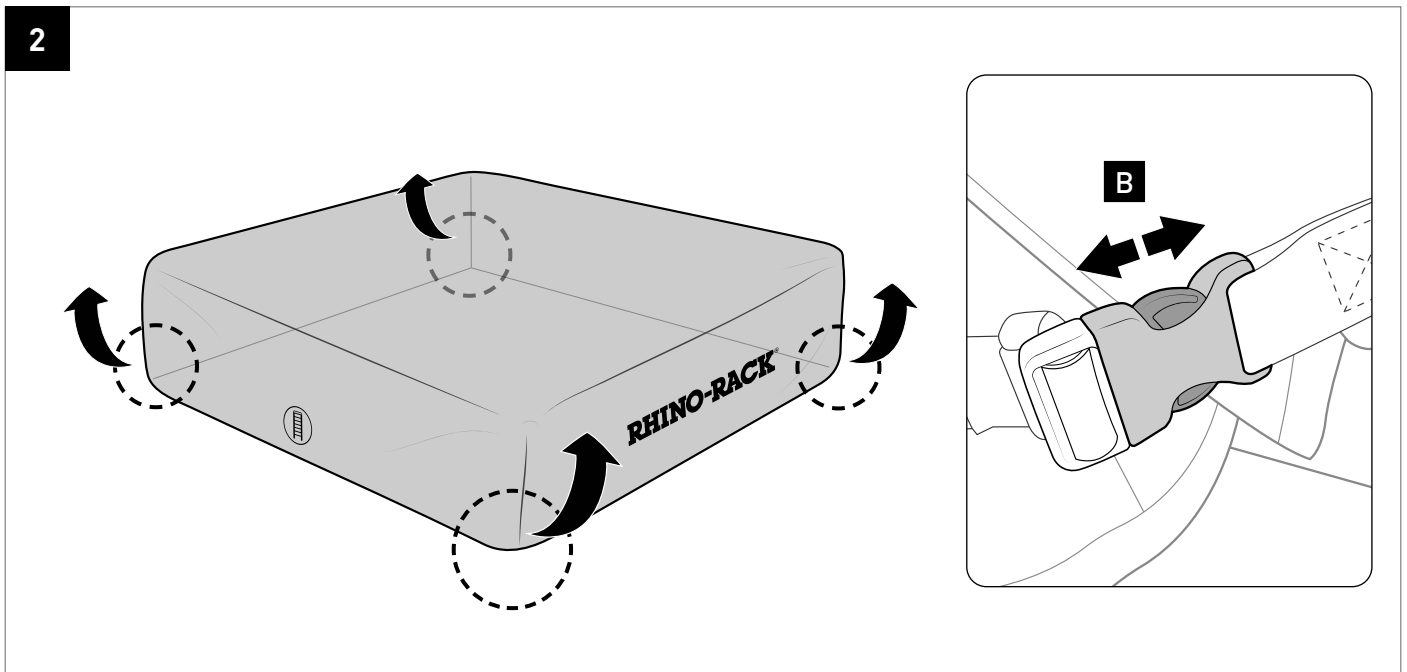
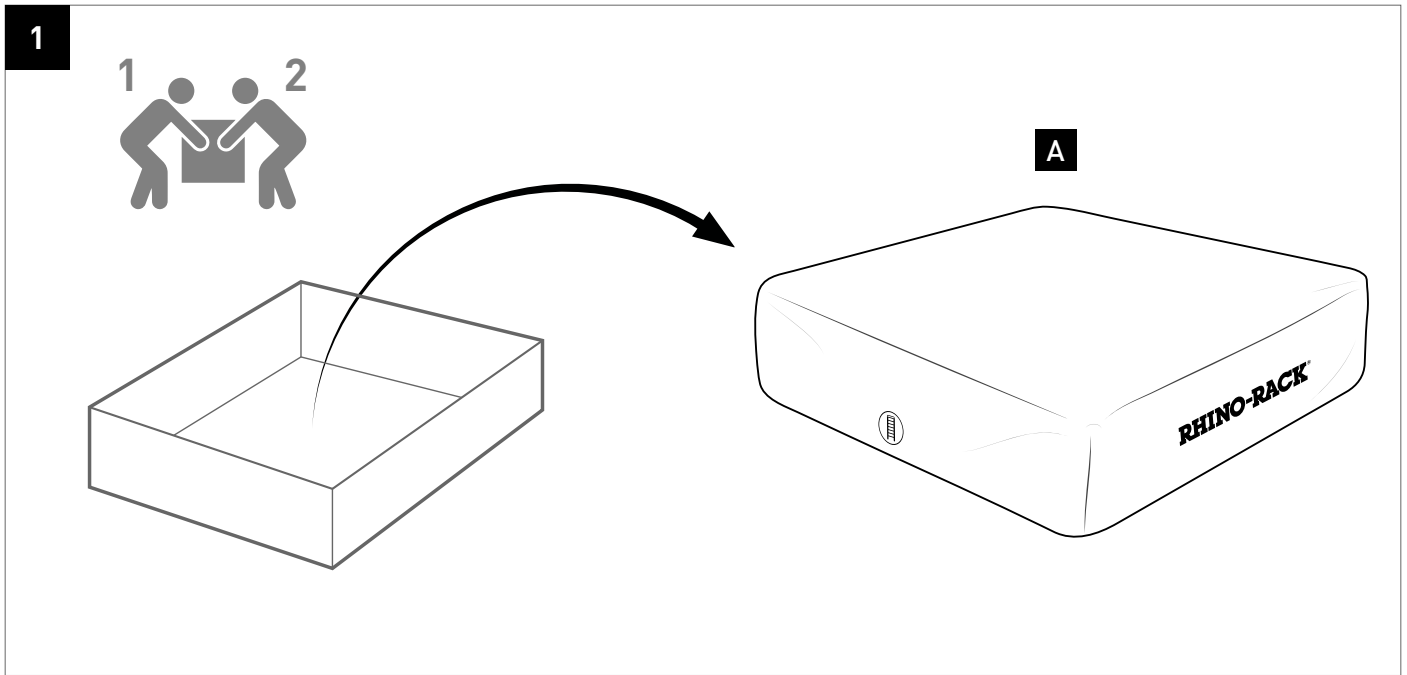


The underbars are **pre-installed** for Rear Opening tents on Platforms

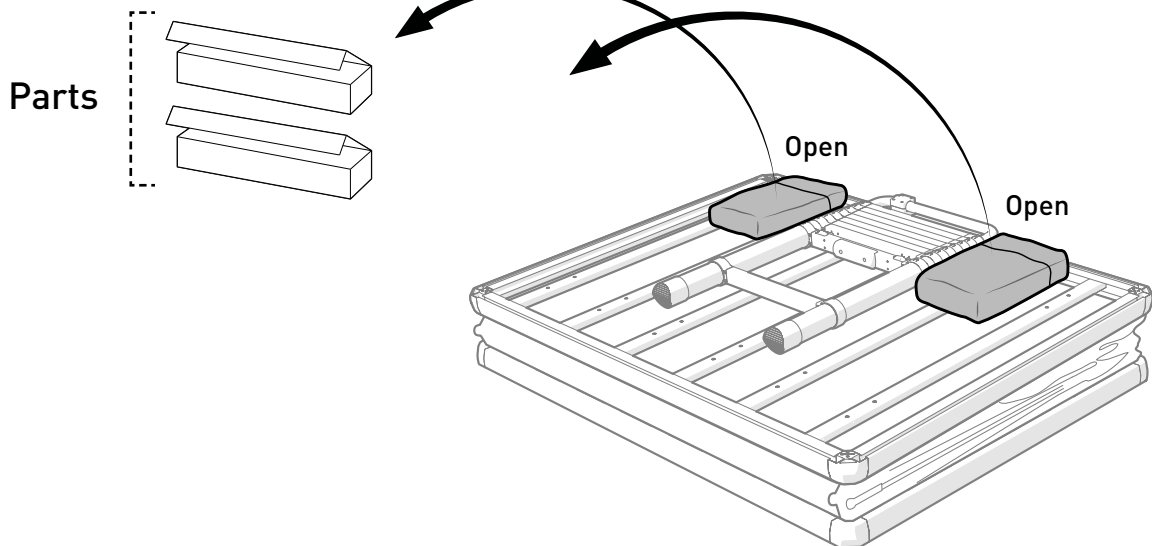
Config.

A



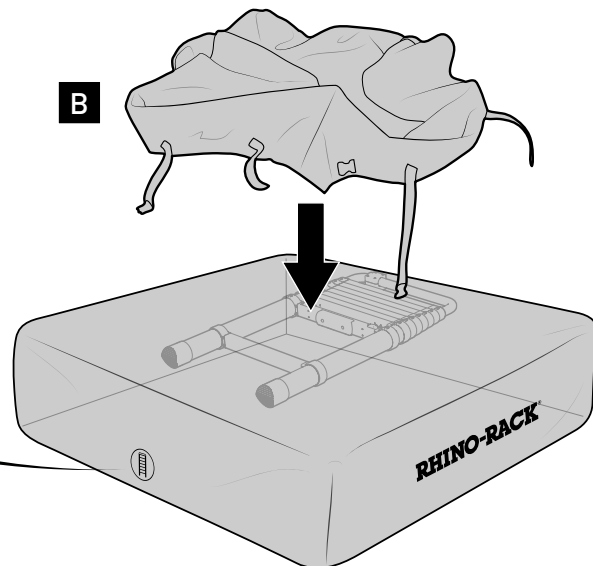
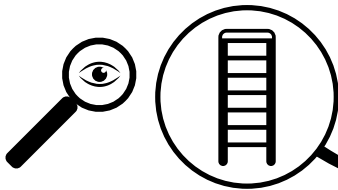


4



5

Refer to ENTRANCE LOCATION
Note on Page 4



INSTALLATION: DETERMINE YOUR REQUIRED CONFIGURATION

NOTE:

Underbars are **pre-installed** in Config. A

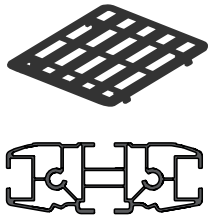


Refer to MOUNTING CONFIGURATIONS on Page 8 & 9

→ If you are using Setup **1** or **4**, proceed to Step **6**

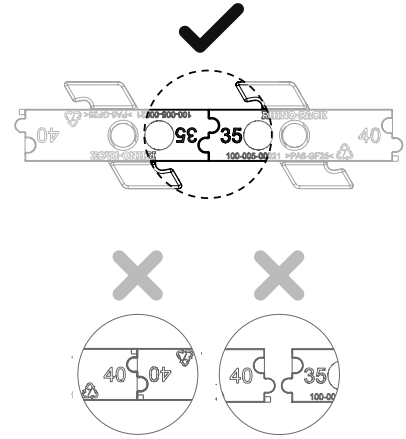
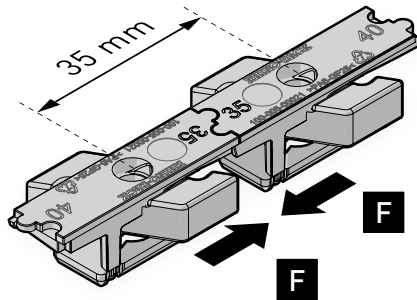
→ For Setup **2** and **3**, continue to Page 28 and complete Steps **42** to **55**
Once complete, proceed to step **6**

6 FOR PLATFORMS AND RECONN-DECK BARS:

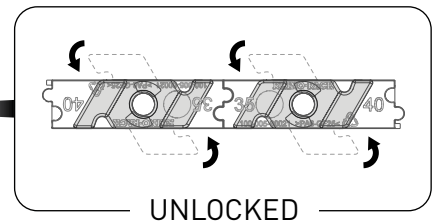
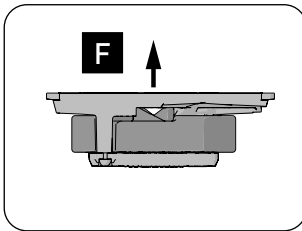
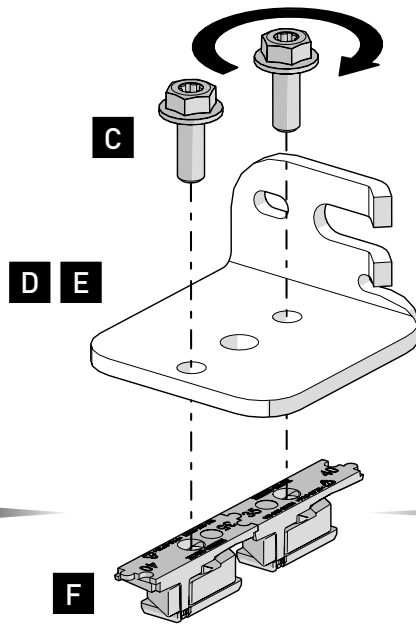


35-35
35MM SPACING

X4

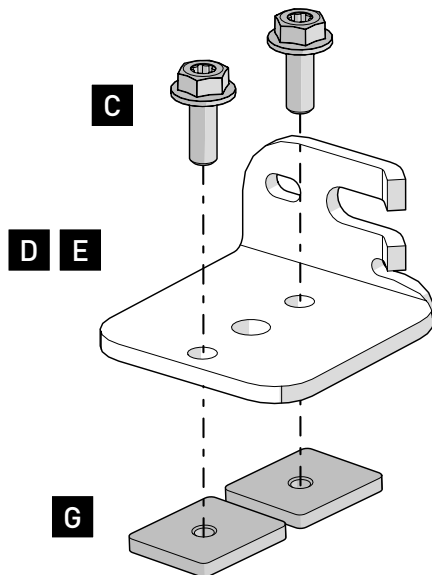
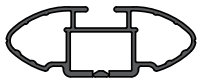


X4



OR

FOR VORTEX BARS:

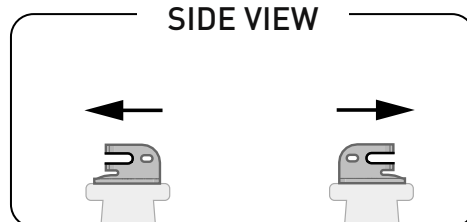
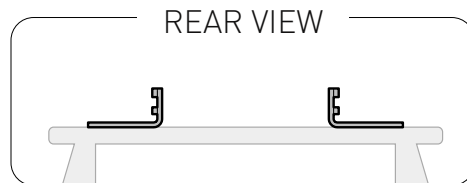
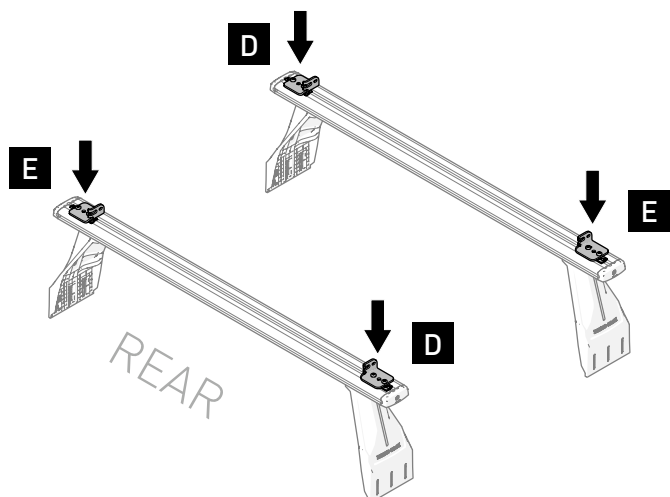


X4

7

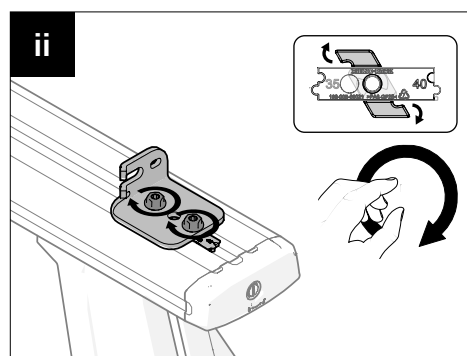
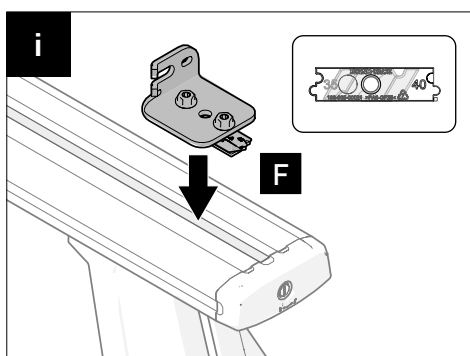


FOR CROSS BARS (For Platforms, Skip to **Step 9**)

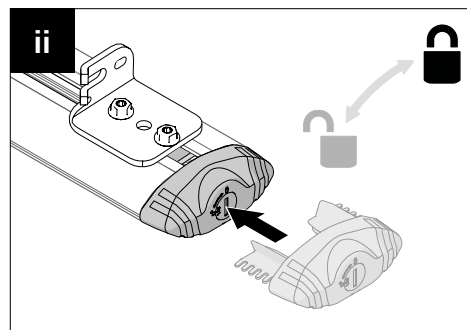
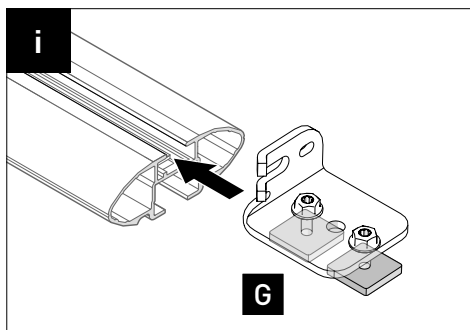


U-shape to face OUTSIDE

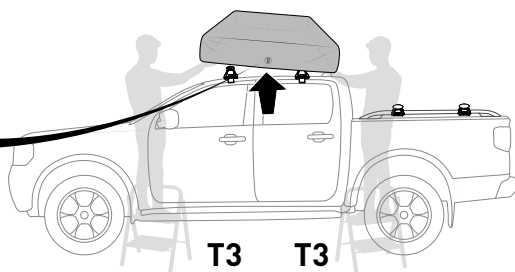
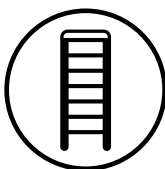
FOR RECONN-DECK BARS:



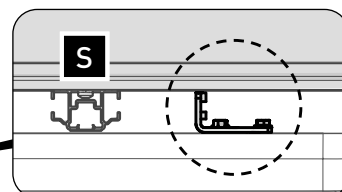
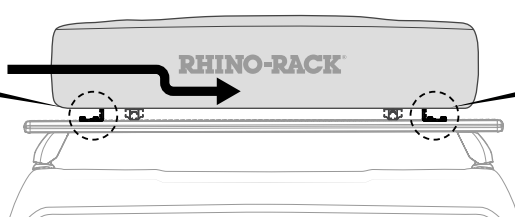
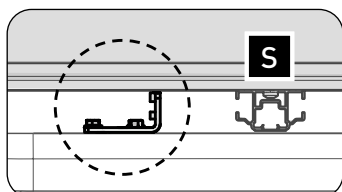
FOR VORTEX BARS:



8



FRONT:

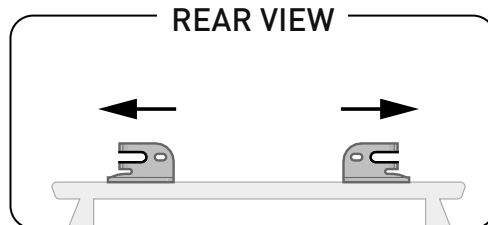
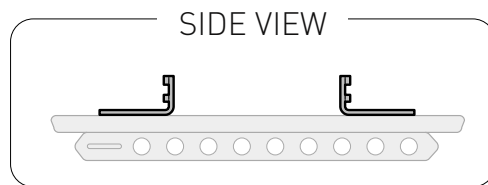
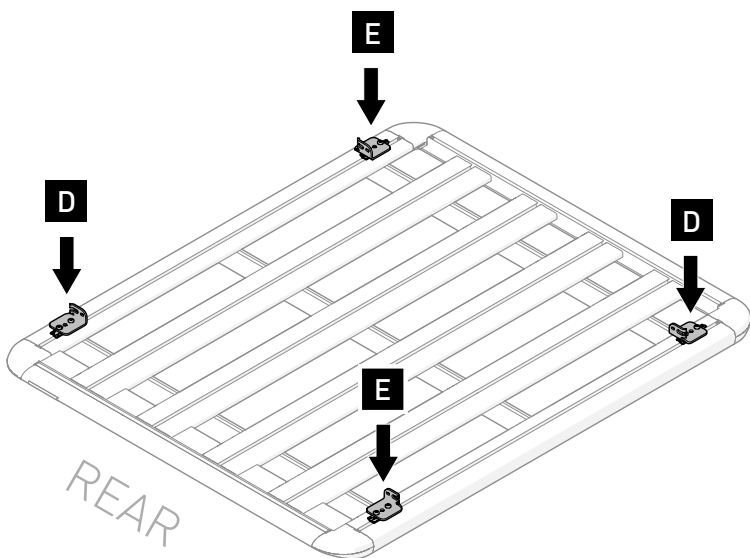


Proceed to Step **11**

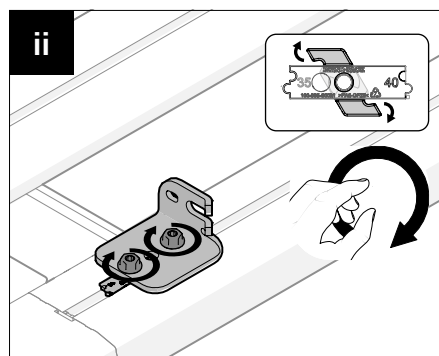
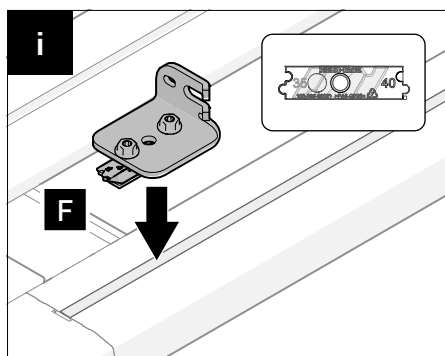
9



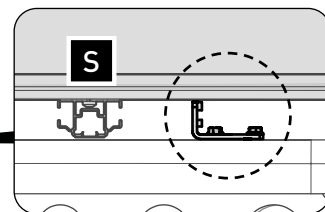
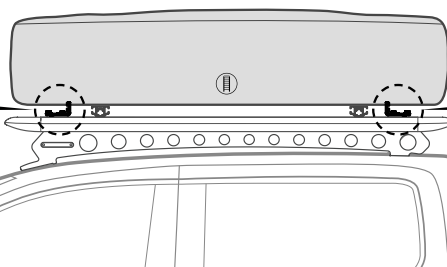
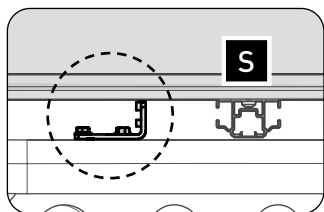
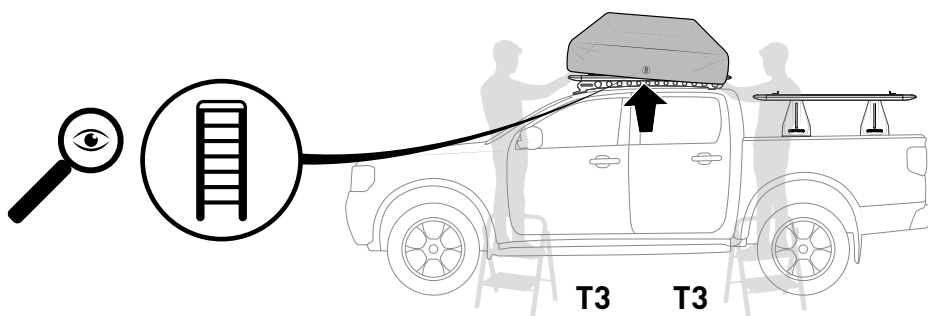
FOR PLATFORMS (For Cross Bars, Skip to **Step 11**)



U-shape to face OUTSIDE

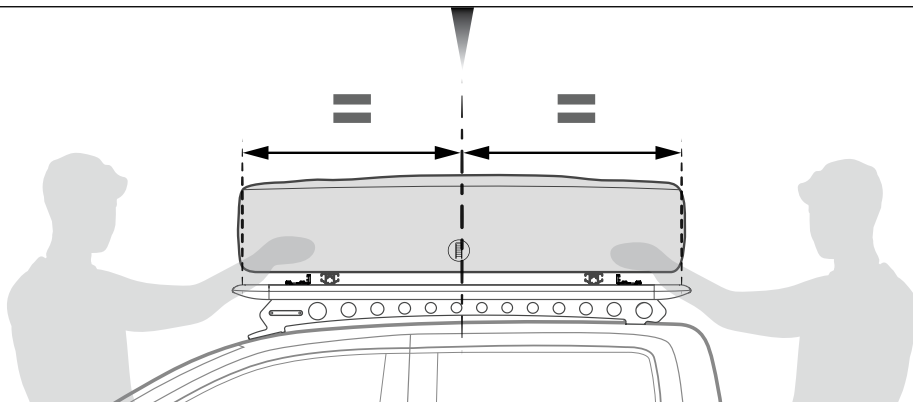
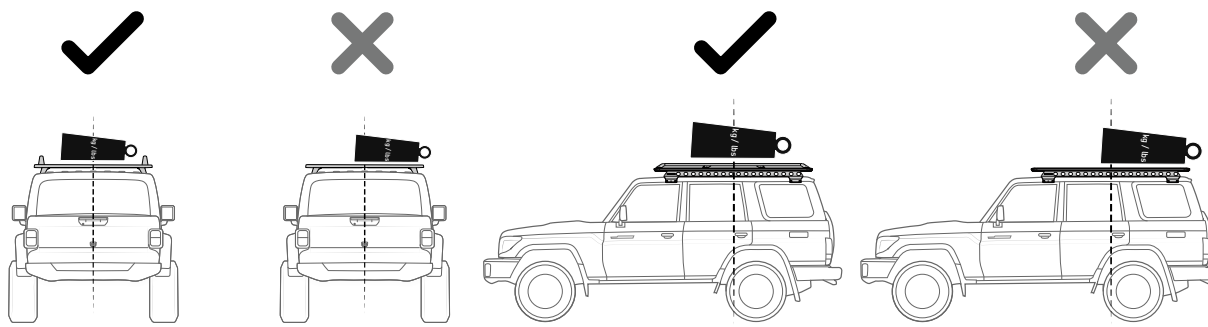


10

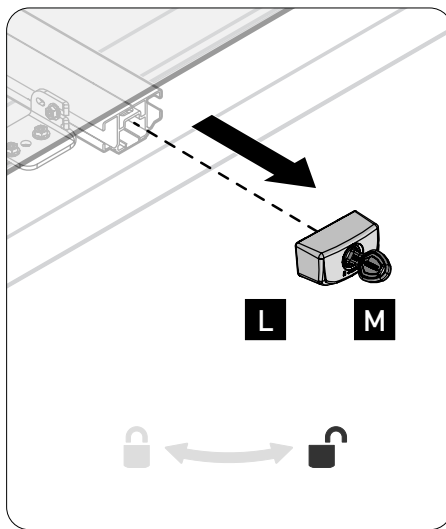
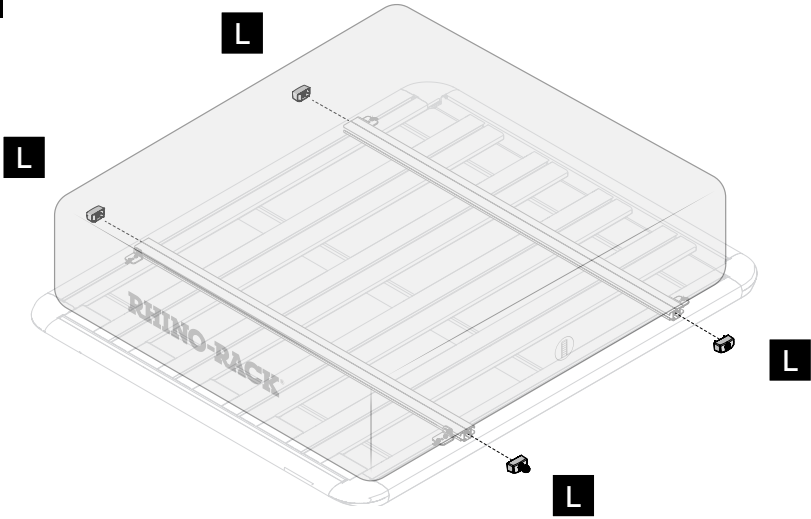


11

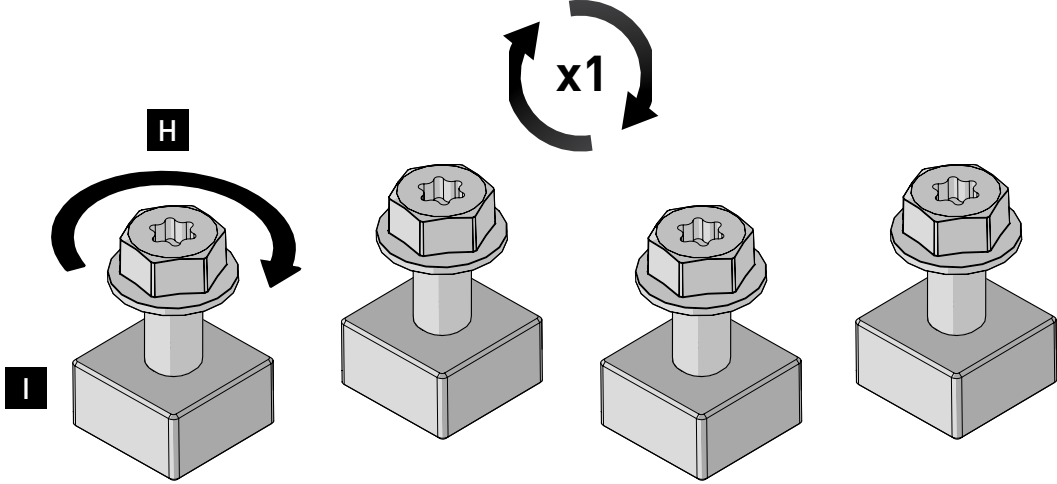
Distribute the tent to the centre of the roof rack system. Avoid point loads concentrated at the front or rear.



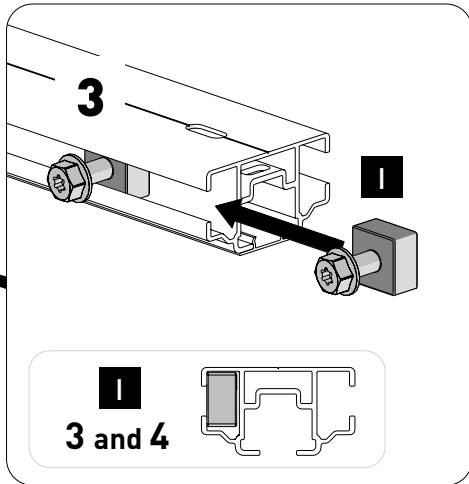
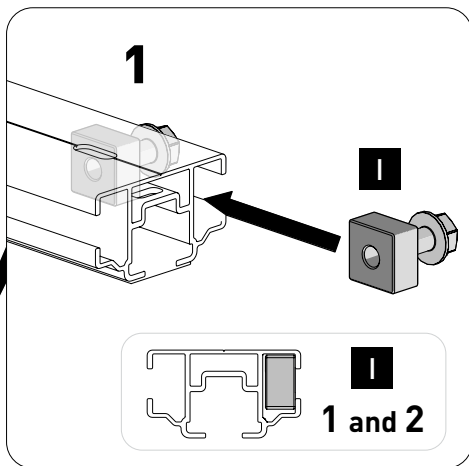
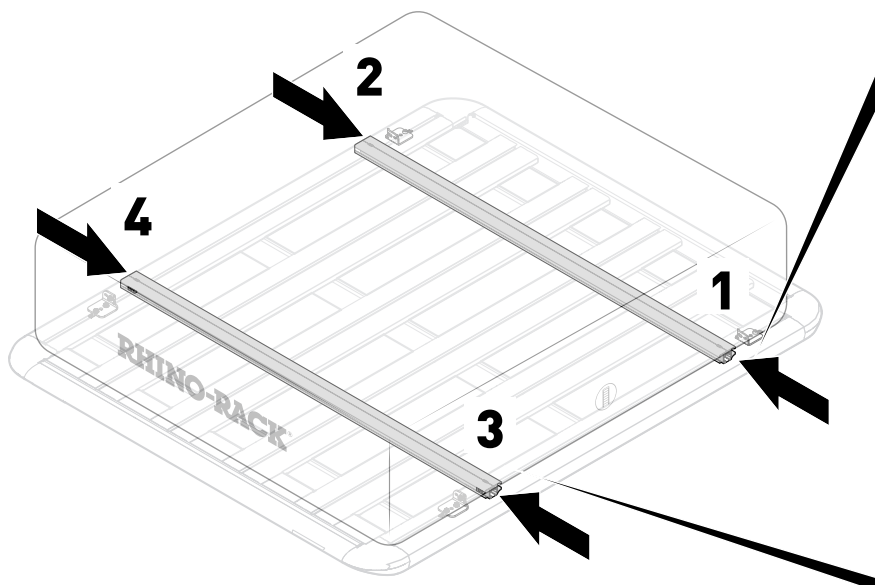
12



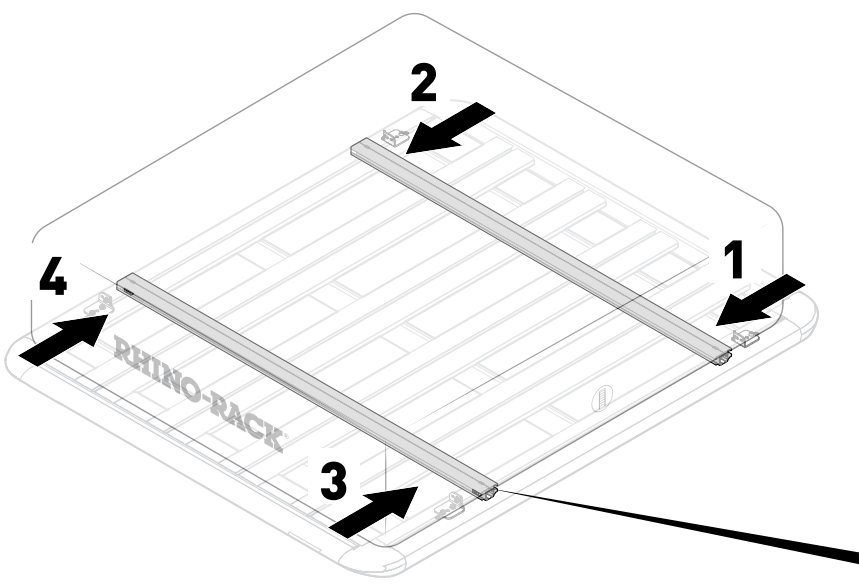
13



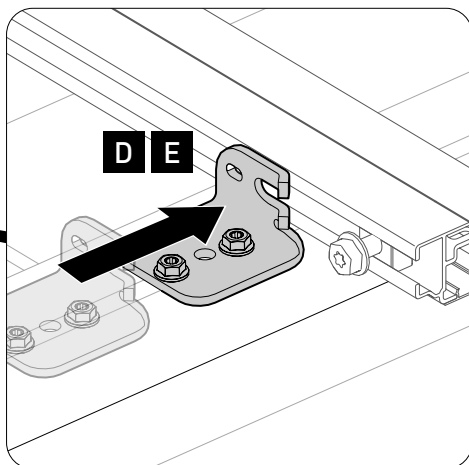
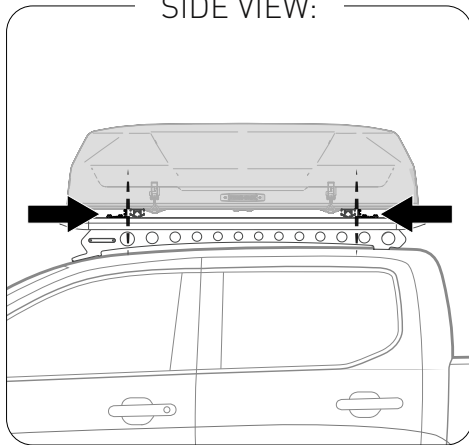
14 *NOTE: Example depicts Pioneer Platforms. Also applies to Cross Bars*



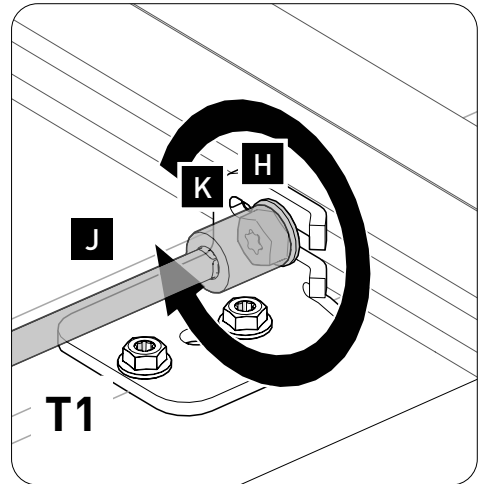
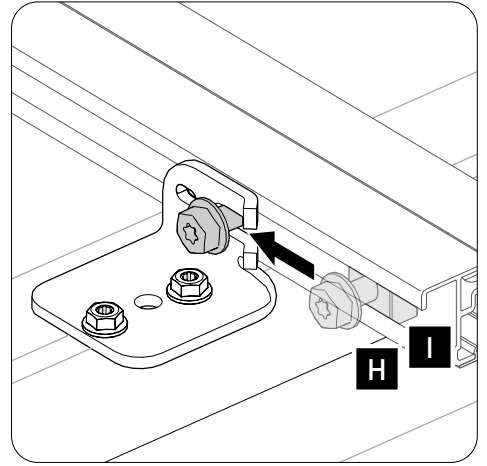
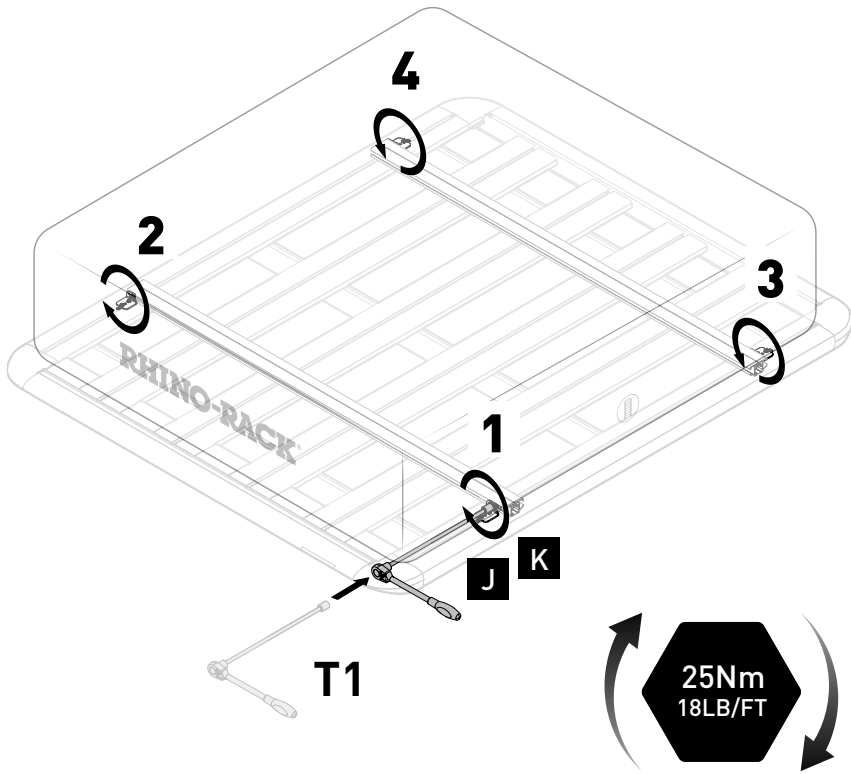
15



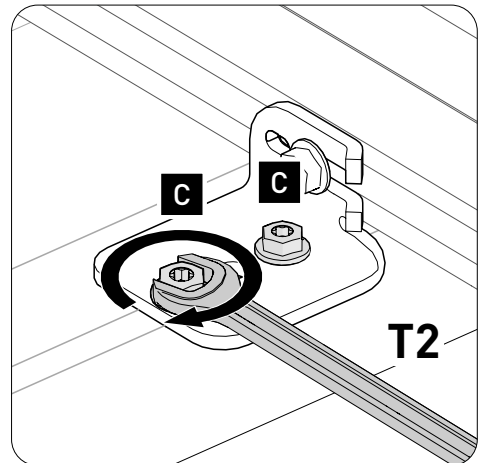
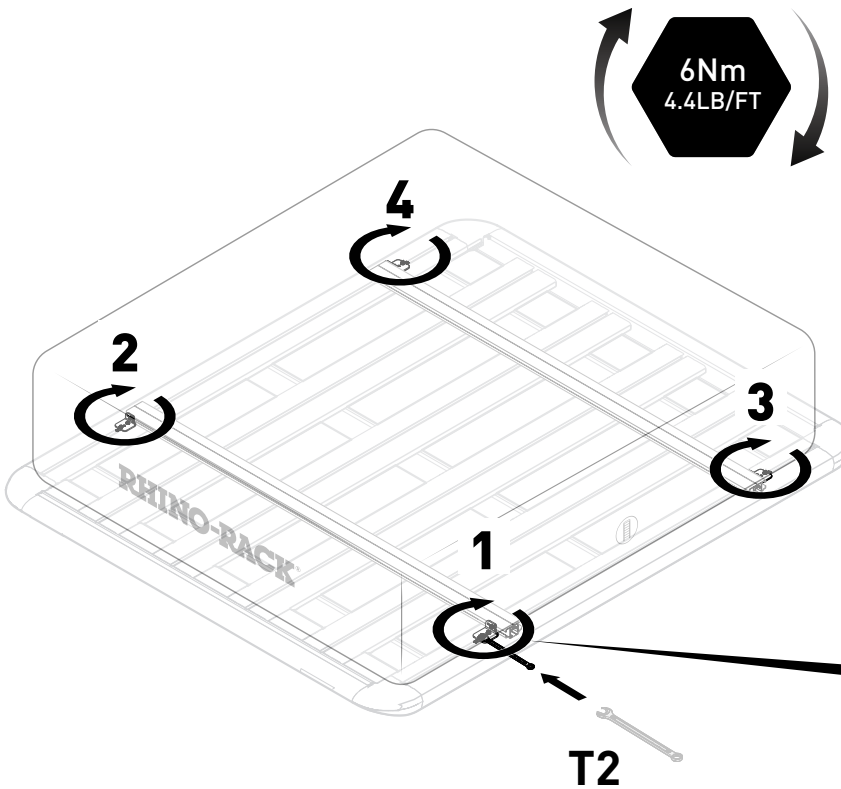
SIDE VIEW:



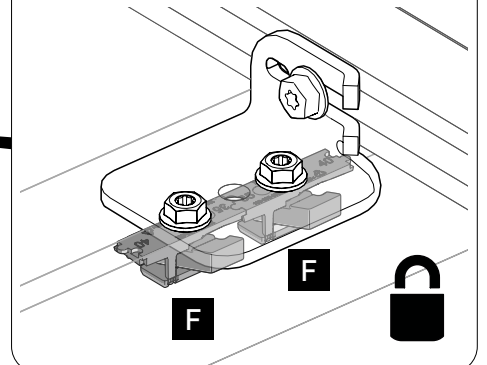
16



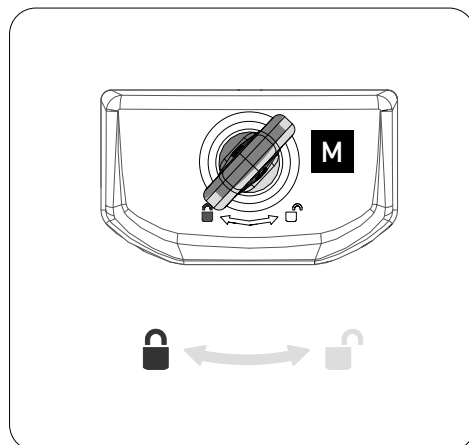
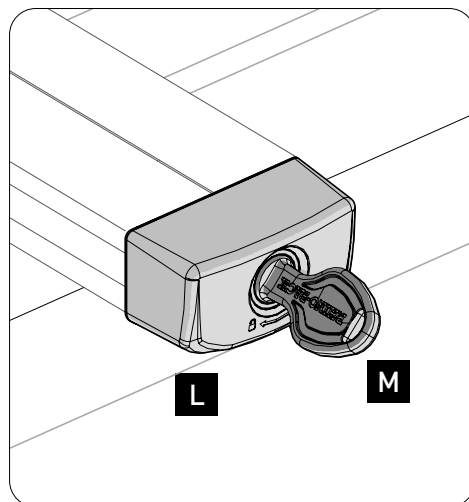
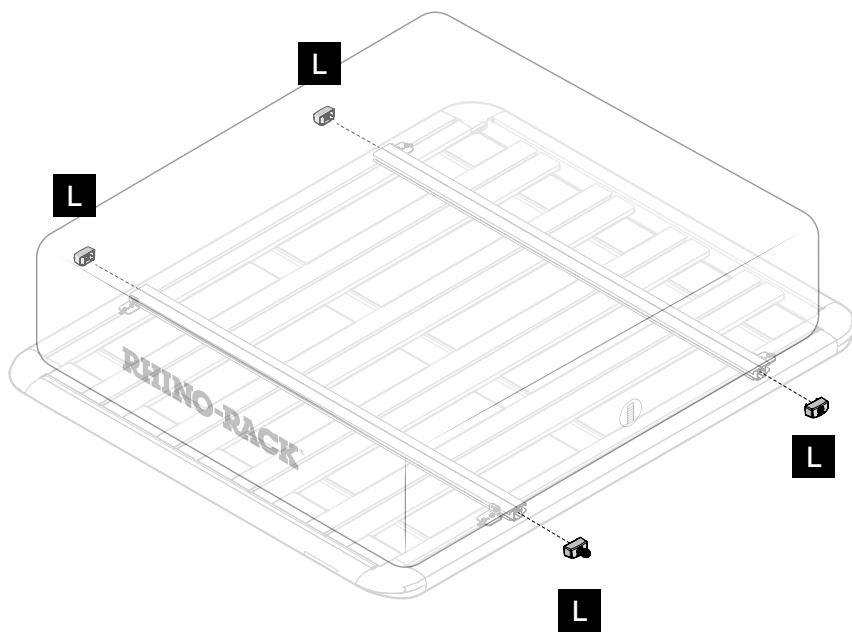
17



*For Pioneer Platforms and
Reconn-Deck Bars*

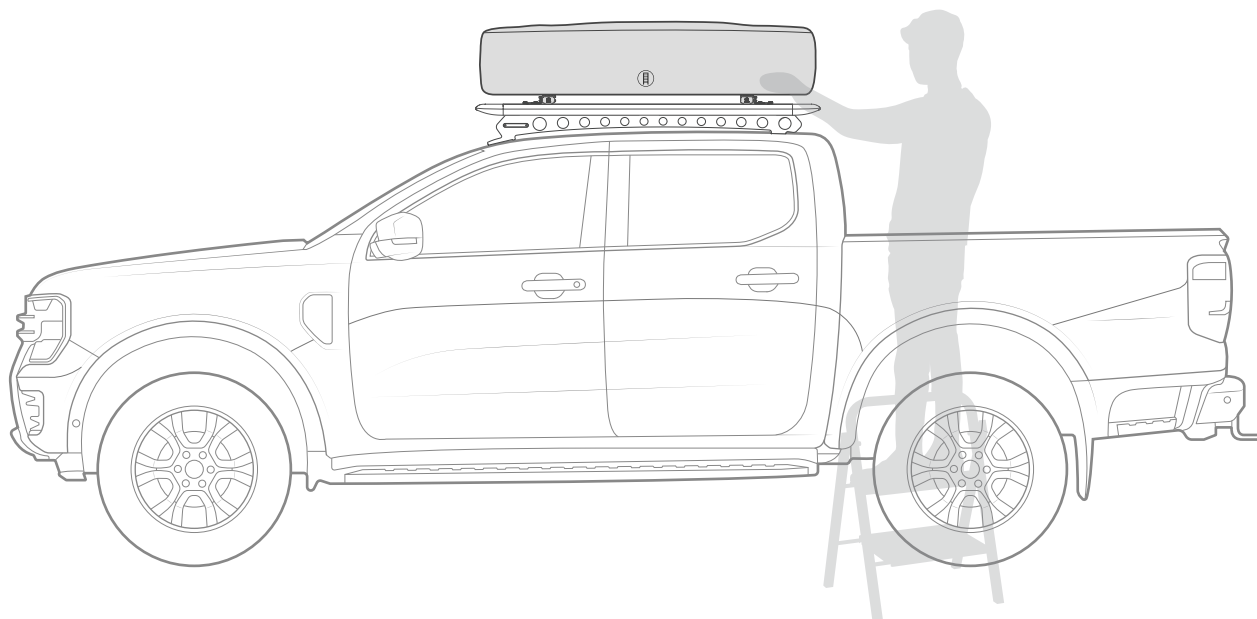


18

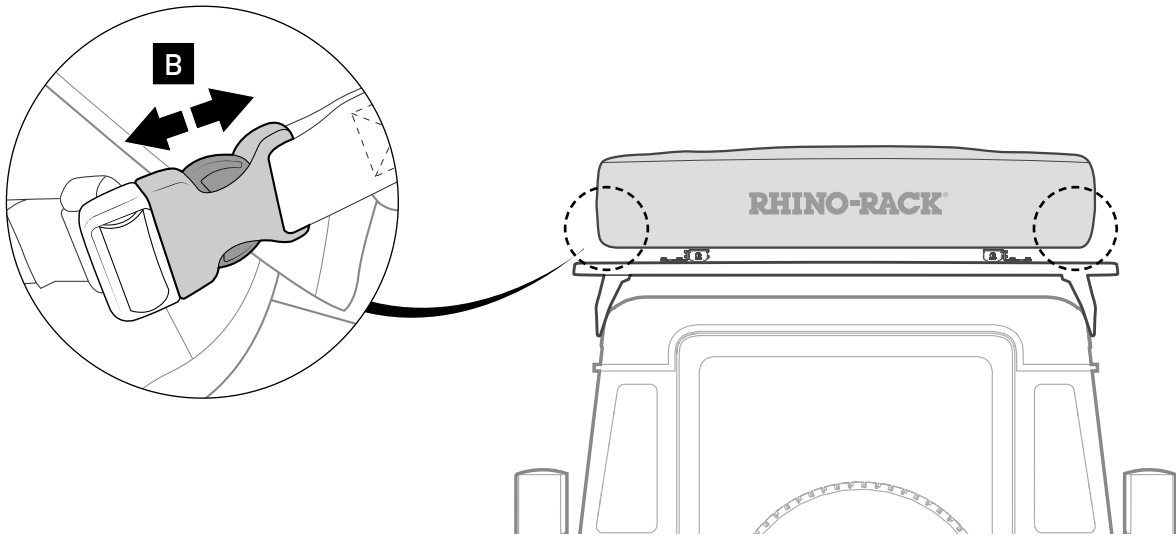


19

CHECK FITMENT IS SECURE

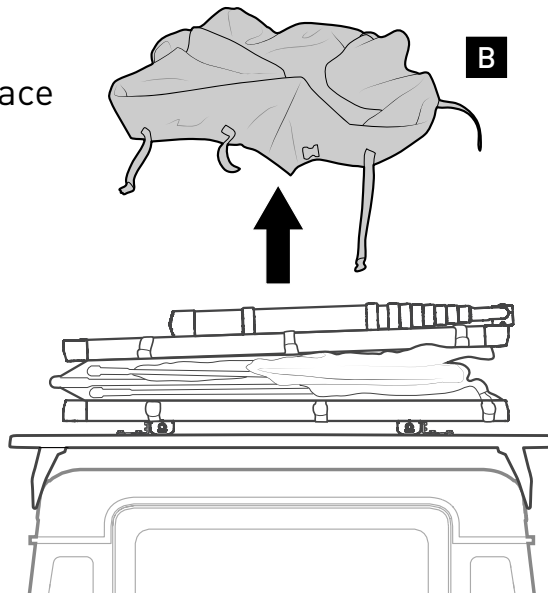


20



21

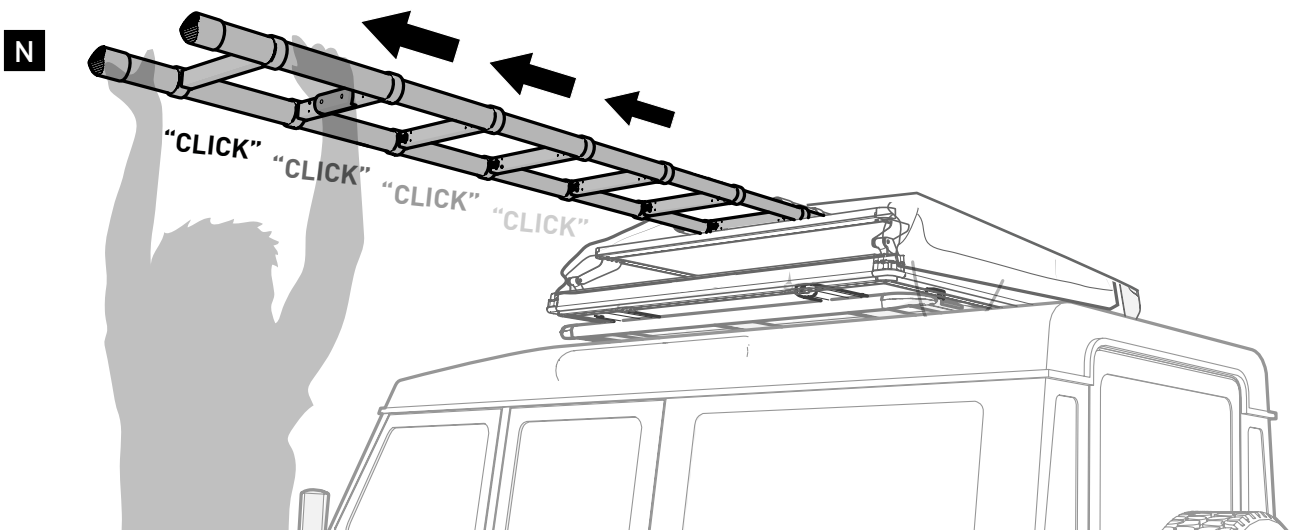
Store in safe place

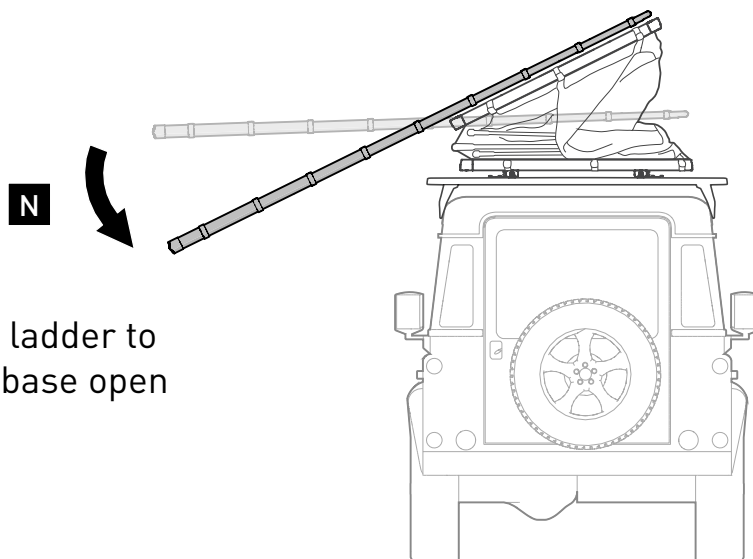


TENT USAGE: LADDER SET UP

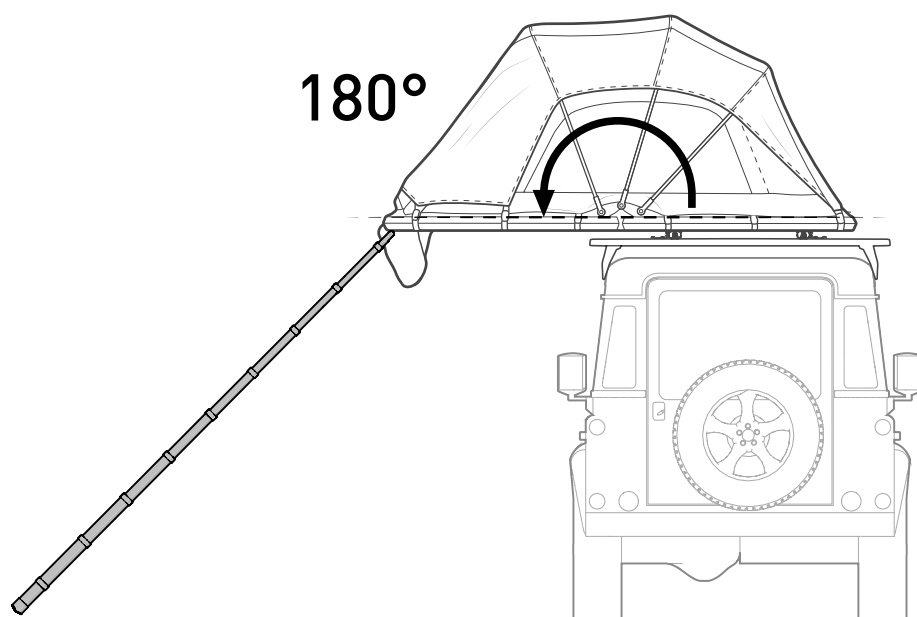
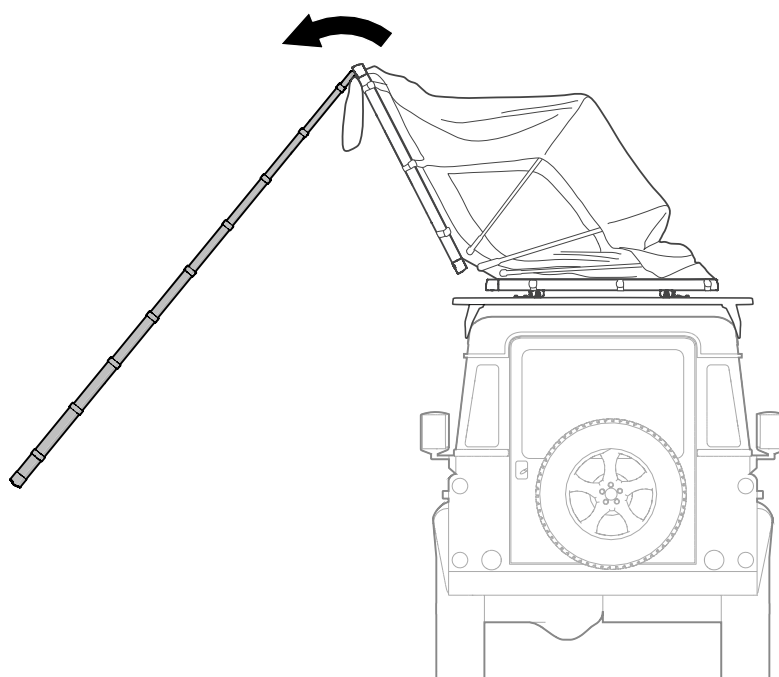
22

Extend Ladder completely

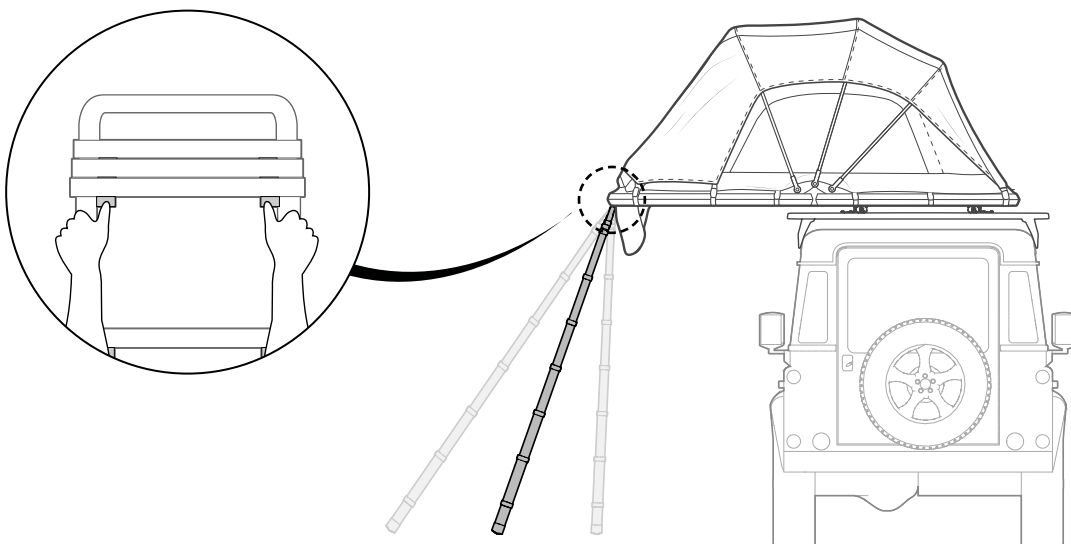




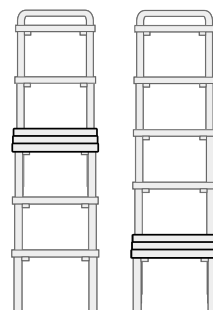
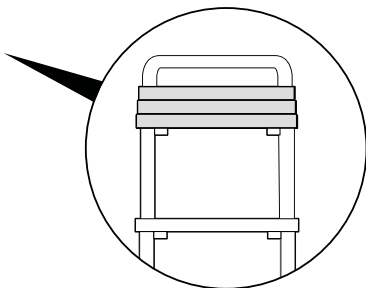
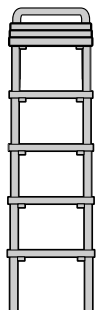
Pull down on the ladder to
“lever” the small base open



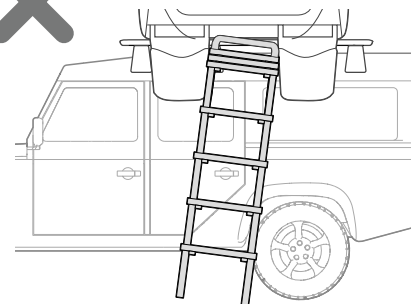
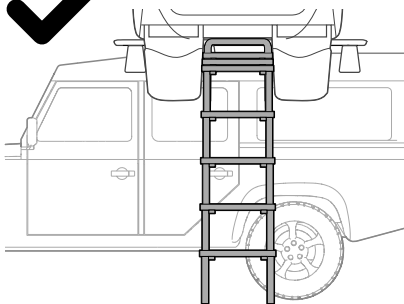
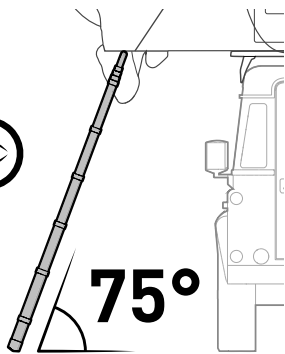
2



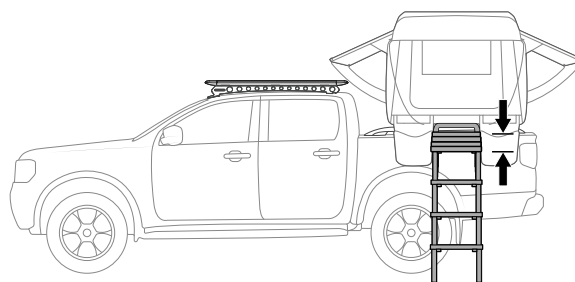
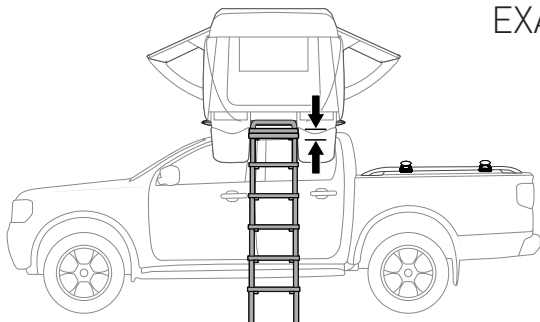
Collapse ONLY the
top-most ladder
rungs.



75°

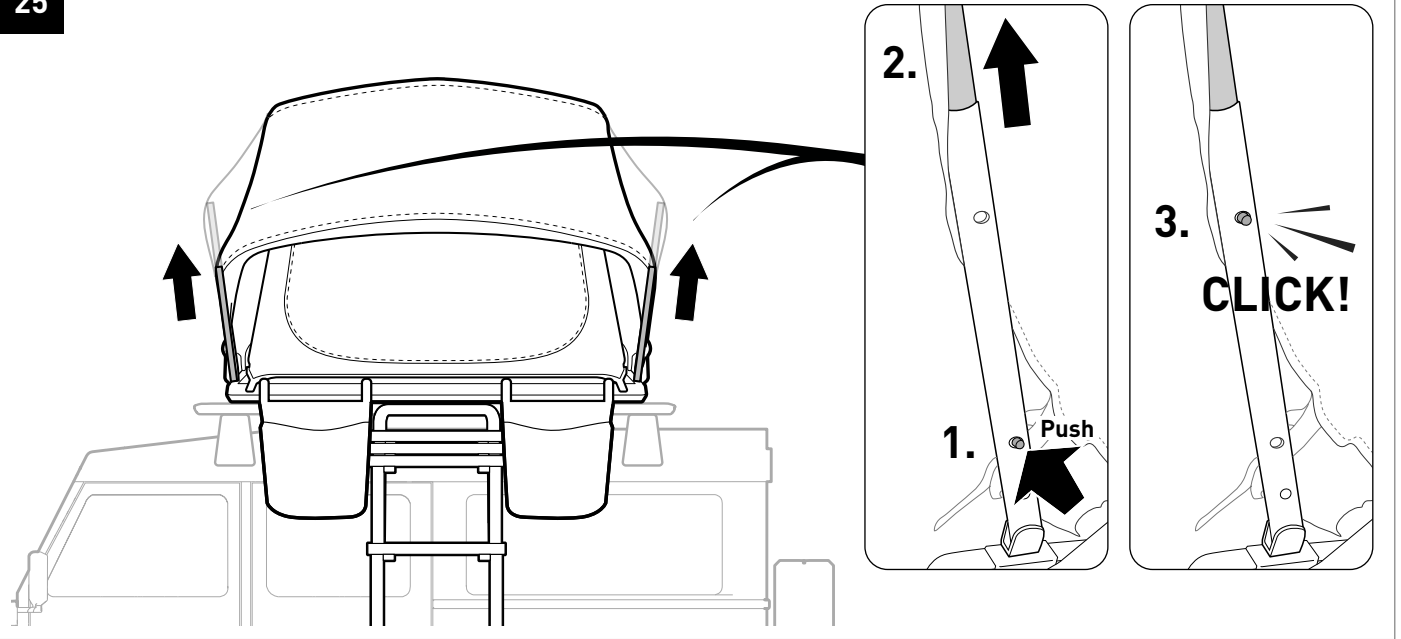


EXAMPLES:

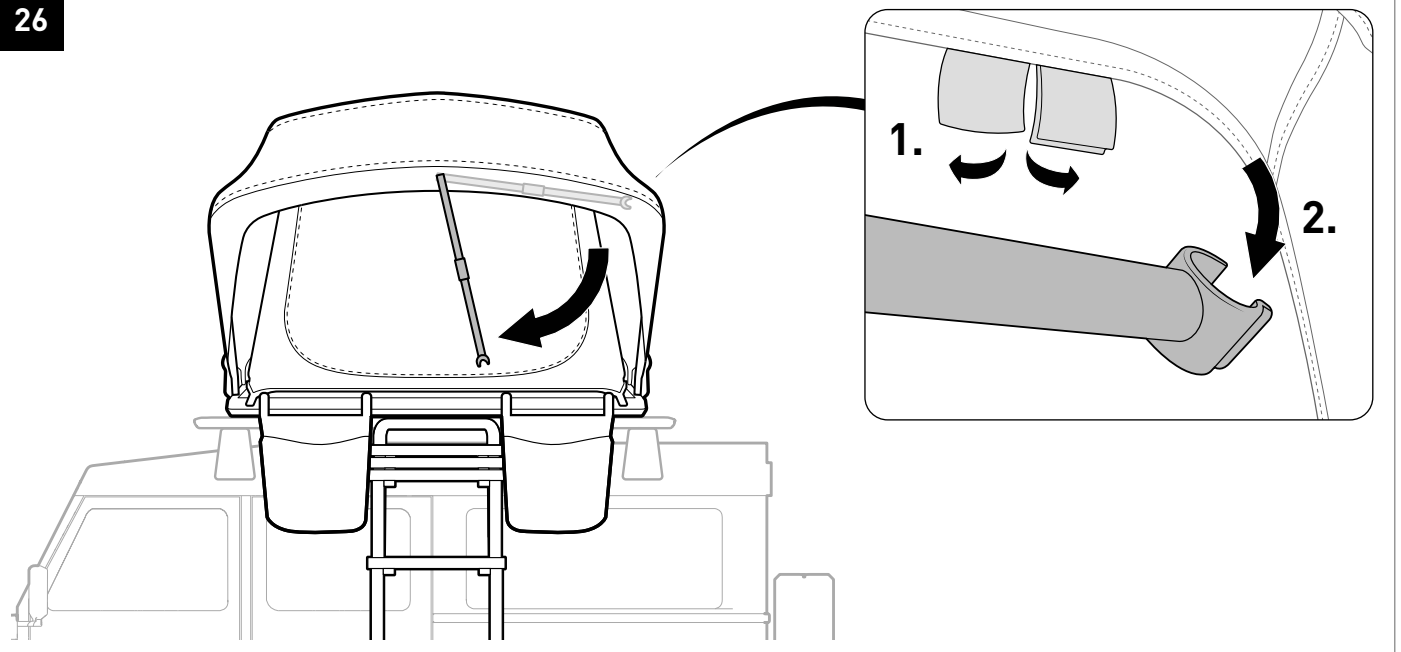


When adjusting the height of the ladder, make sure that it is securely fastened with a “click”
CHECK LADDER RUNGS ARE LOCKED IN PLACE BEFORE ATTEMPTING TO CLIMB LADDER

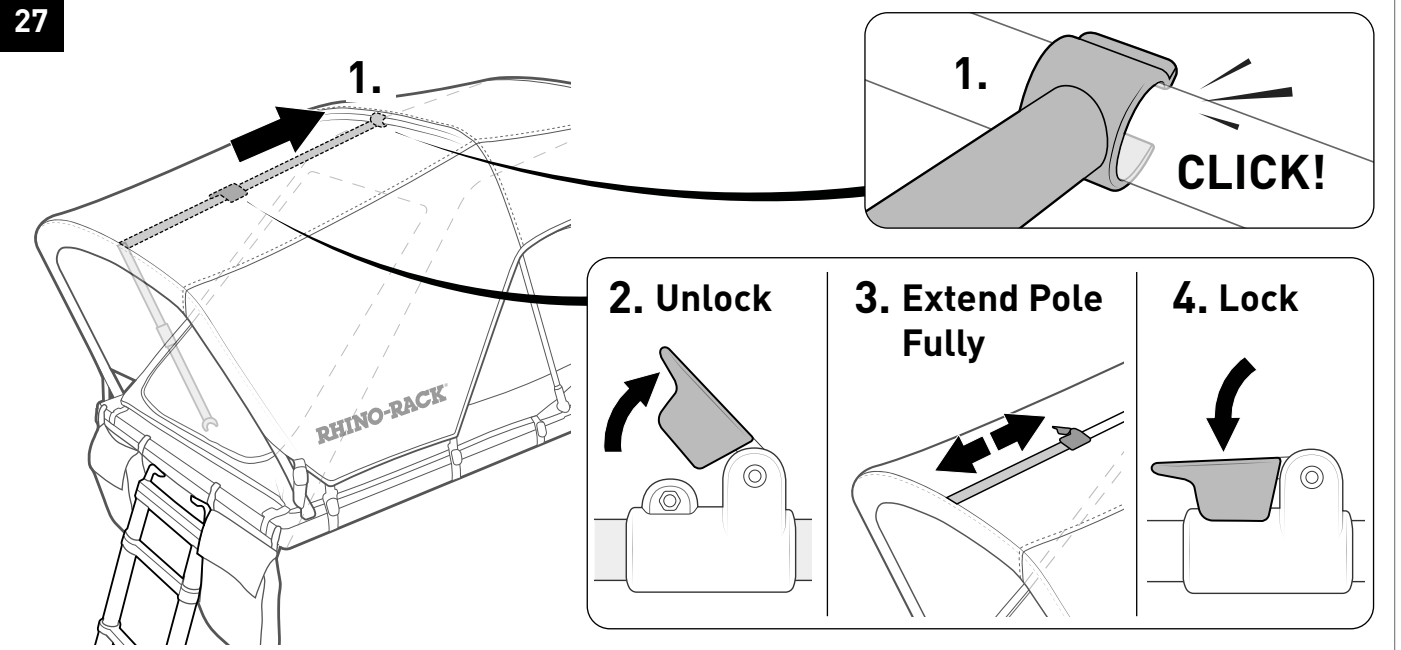
25



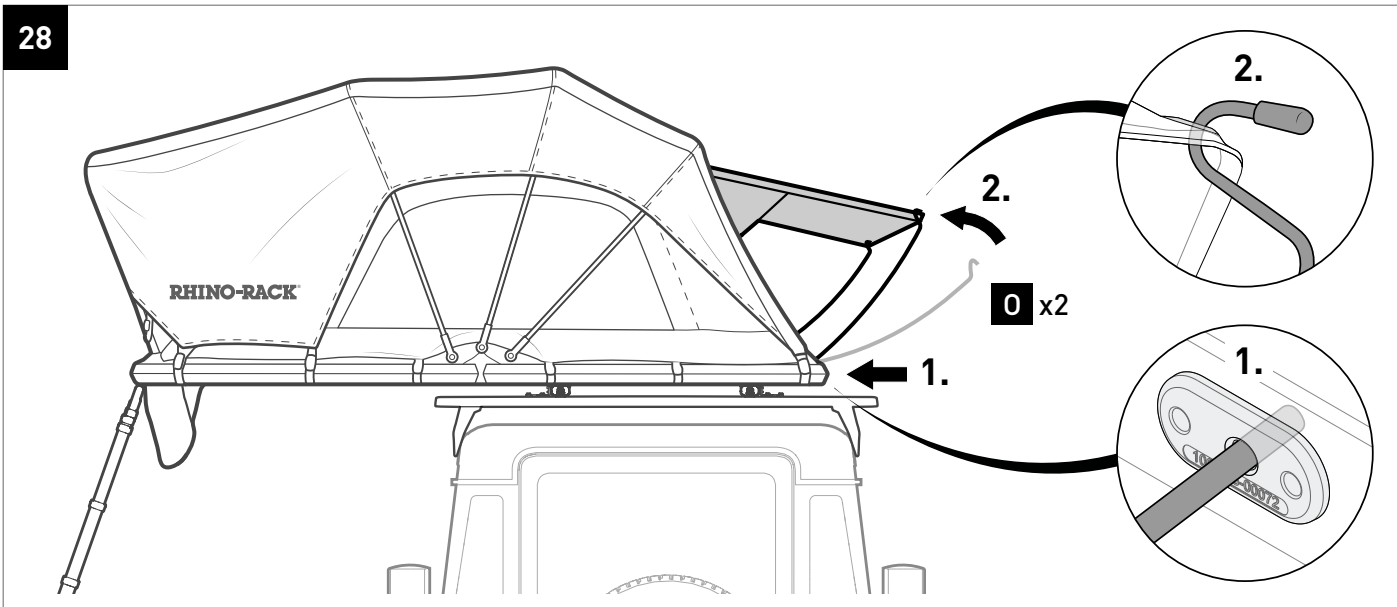
26



27

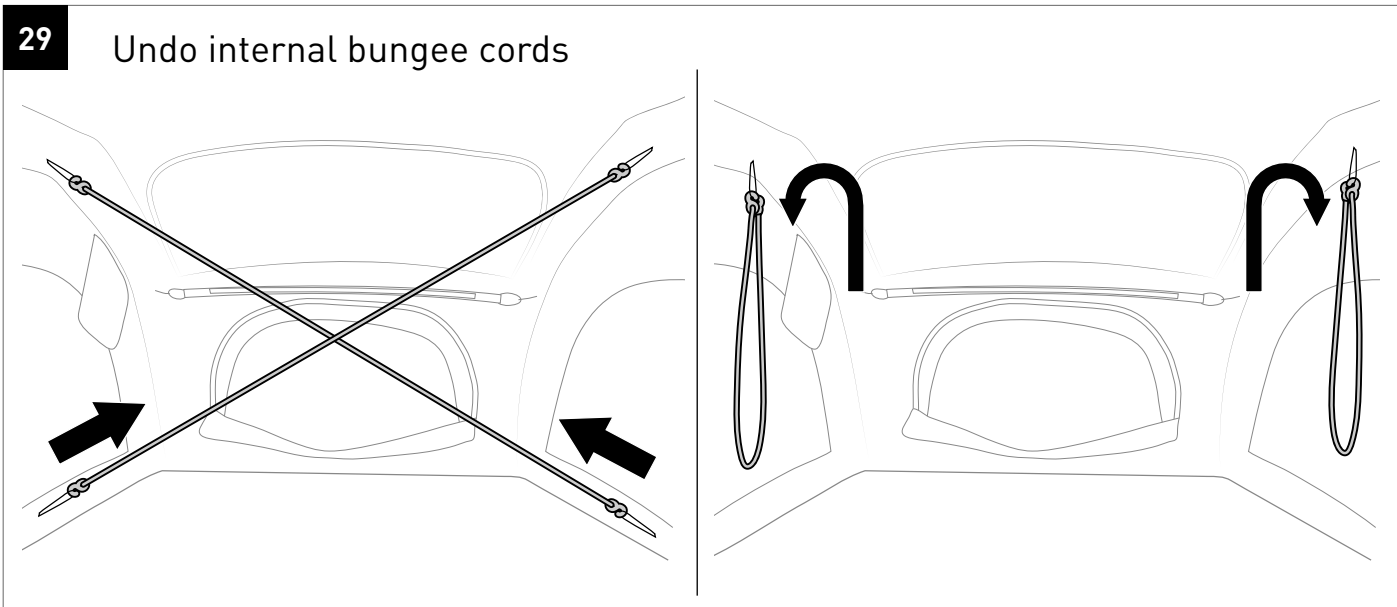


28



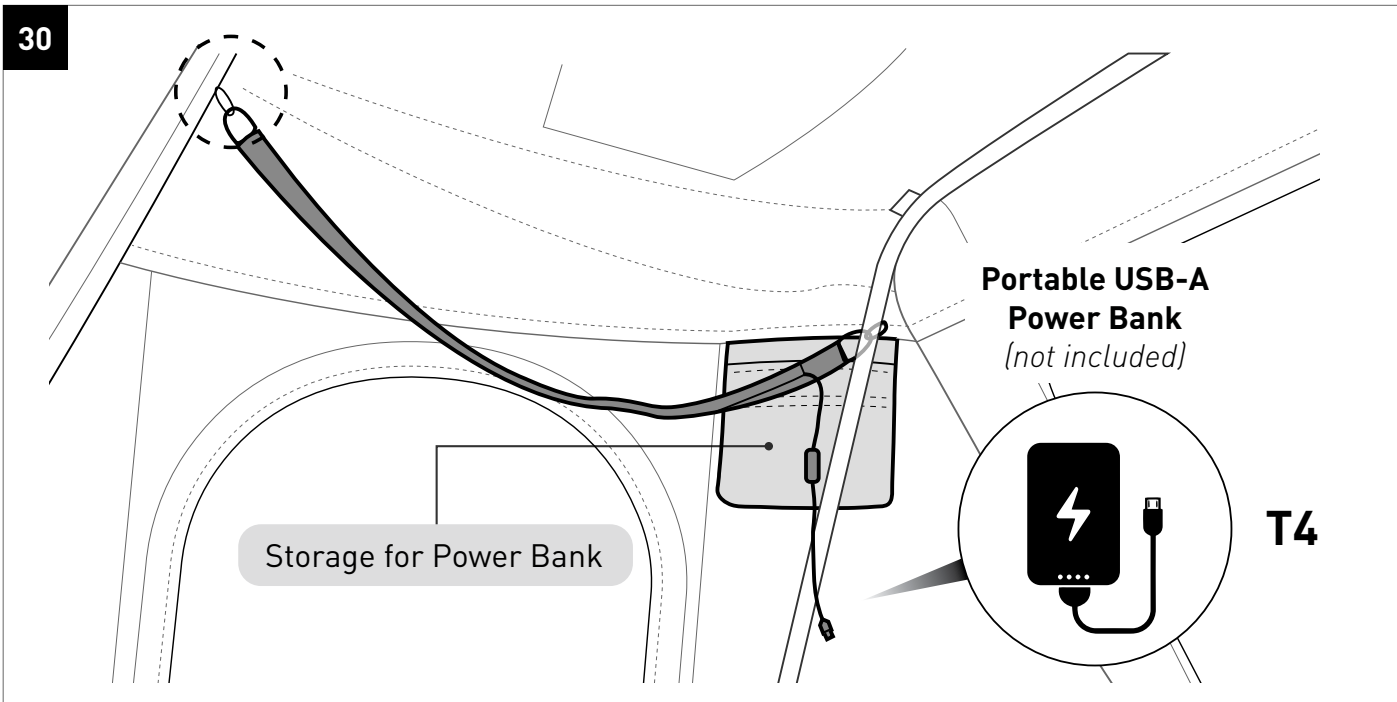
29

Undo internal bungee cords



TENT USAGE: LED LIGHT BAR

30

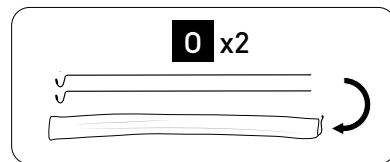
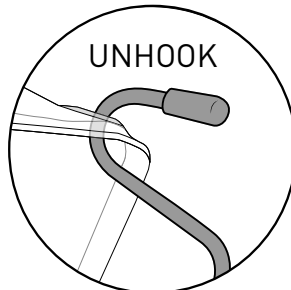
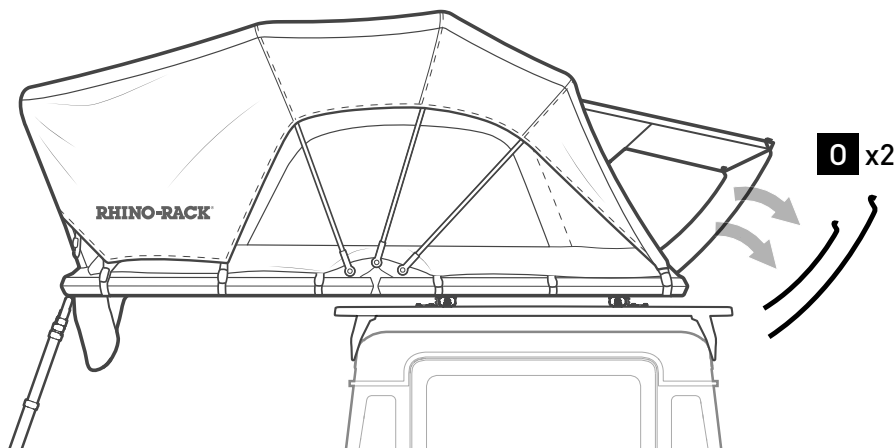


31

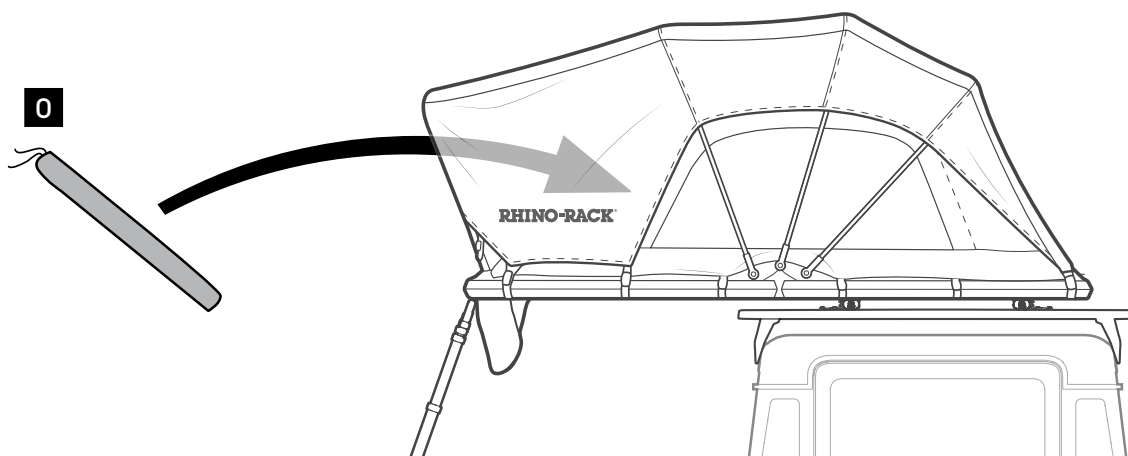


- Make sure there are no sharp items left in the tent.
- Allow tent to dry completely before stowing, otherwise wipe dry asap.
- Close the zippers of the doors and windows most of the way, **leaving them slightly open** to allow the tent to air out while it is folded.

NOTE: For ease of future setup, bedding can be left inside. Ensure tent is still able to close fully

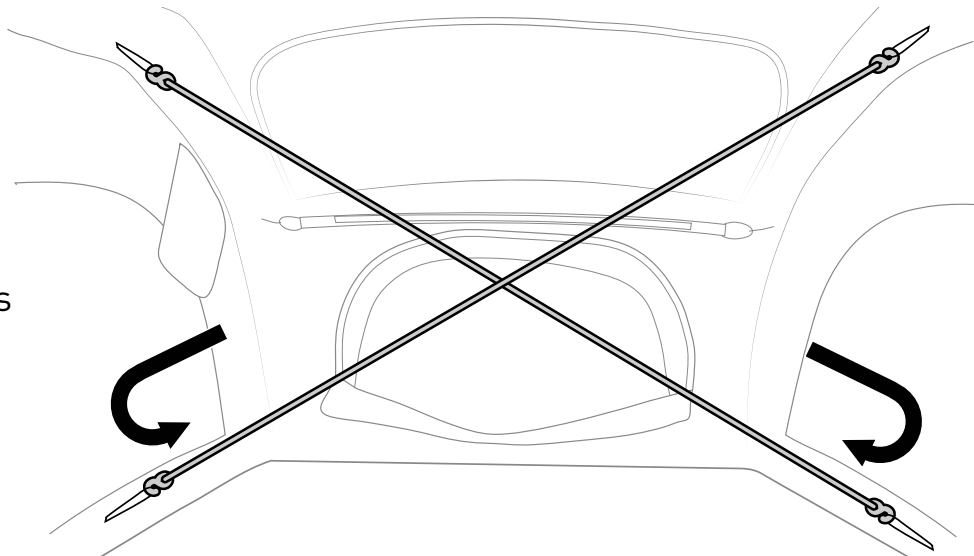


32



33

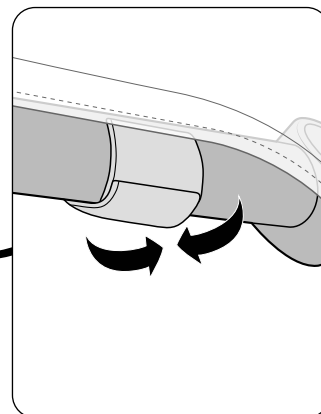
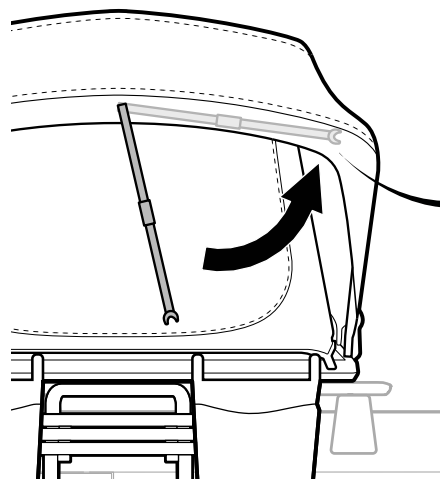
Hook internal bungee cords across diagonals of the tent



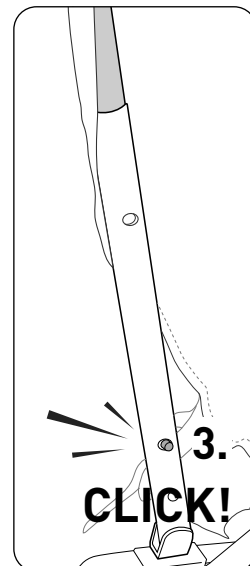
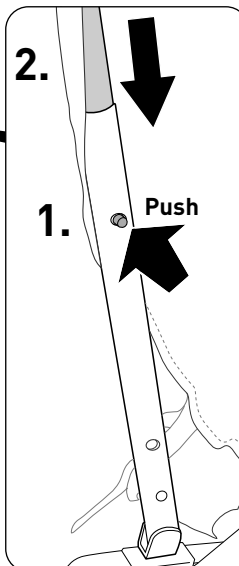
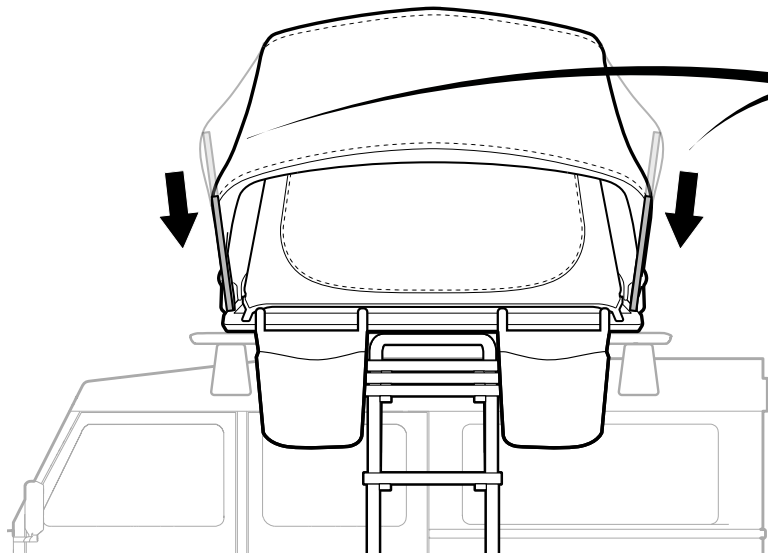
34

1. Retract Pole

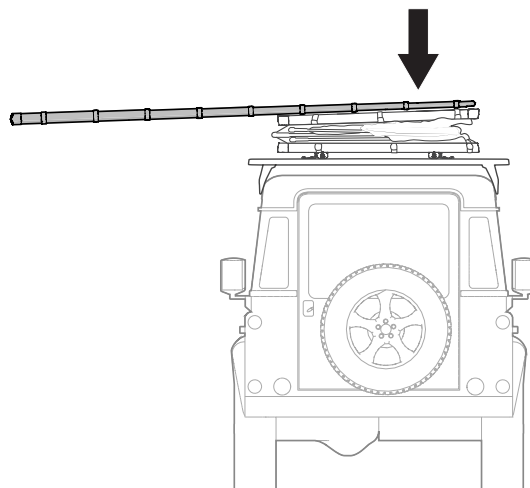
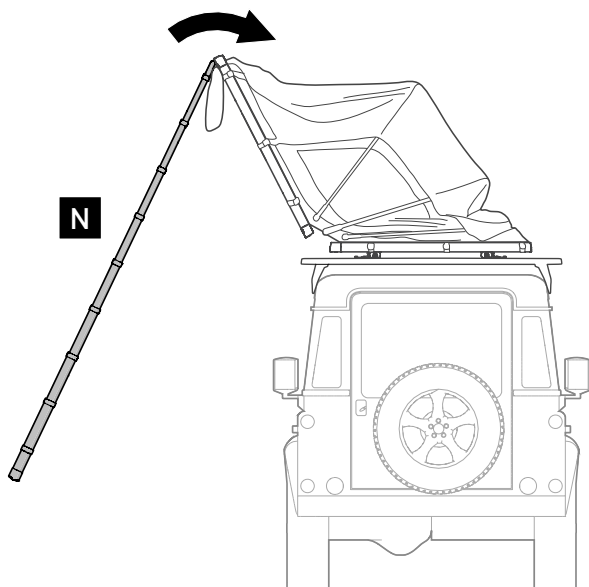
2. Secure



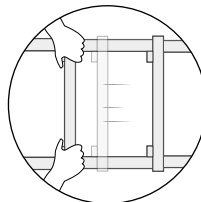
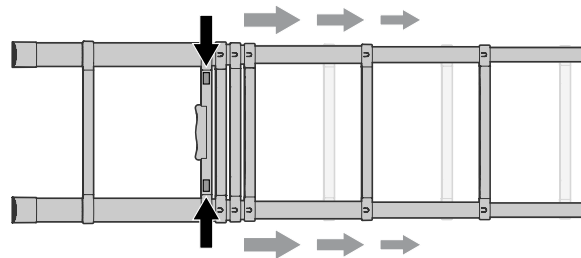
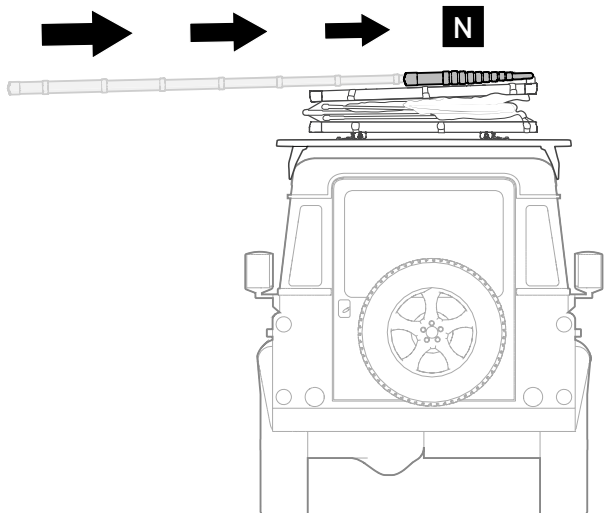
35



36



37 Retract Ladder completely

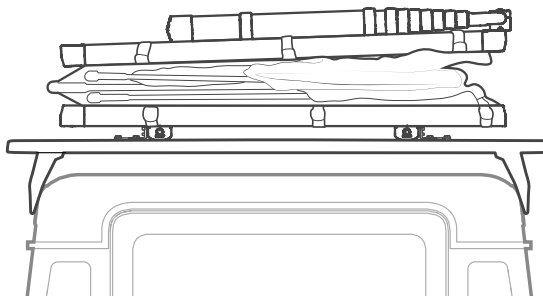
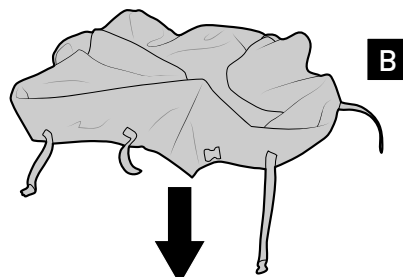
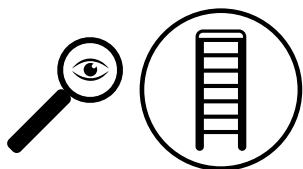


Take caution not to pinch your fingers when retracting the ladder.

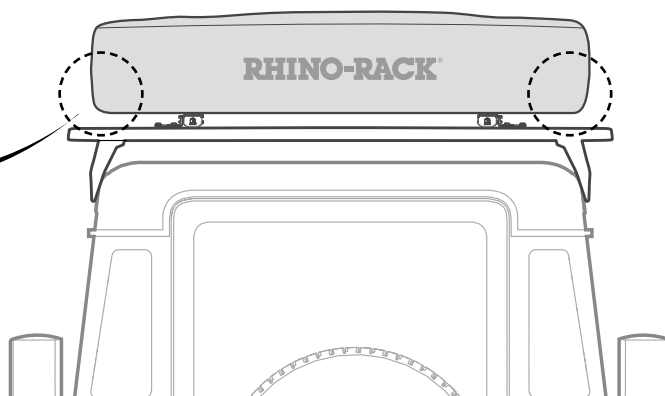
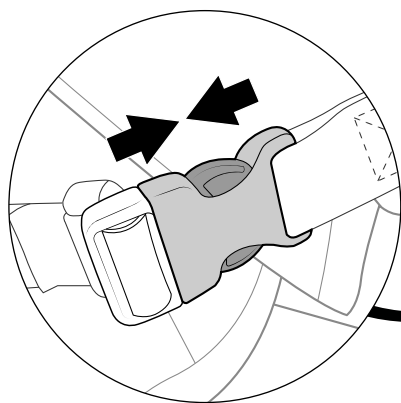
38

Ensure tent fabric is tucked in on all sides and oriented correctly.

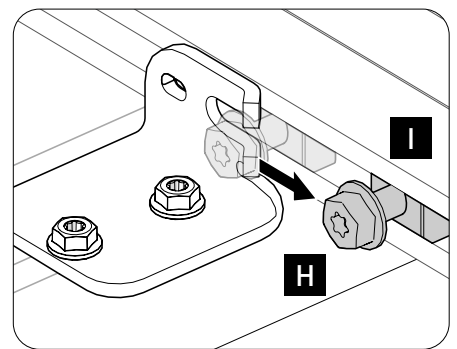
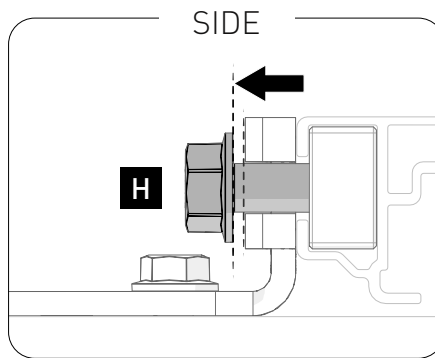
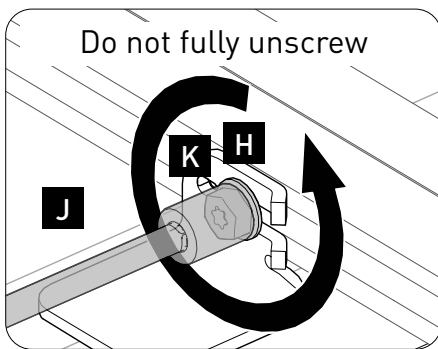
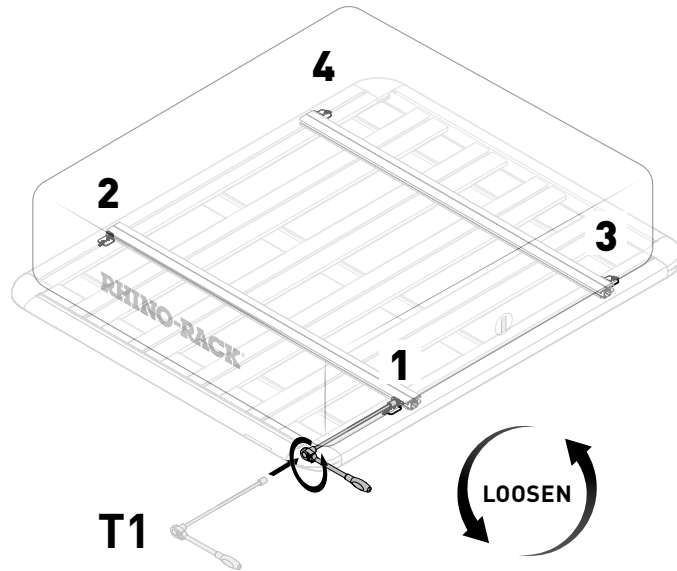
NOTE: Location of entrance



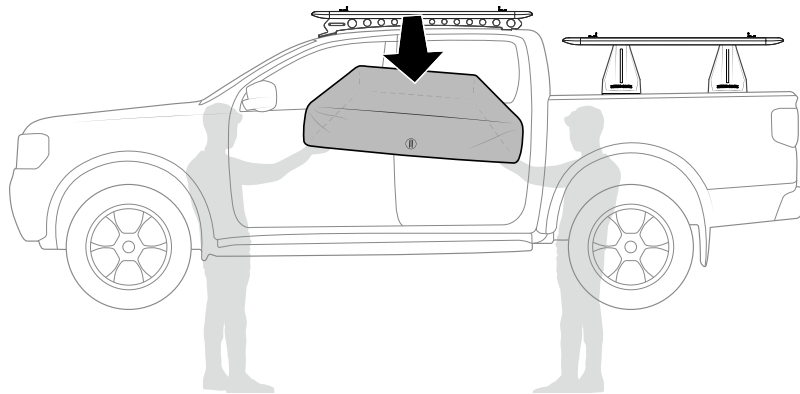
39



40

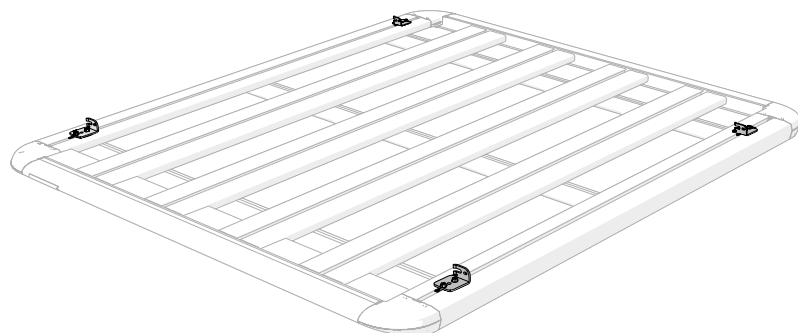


41

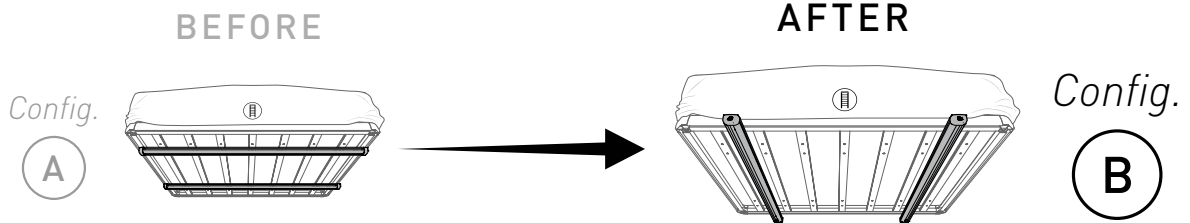


NOTE:

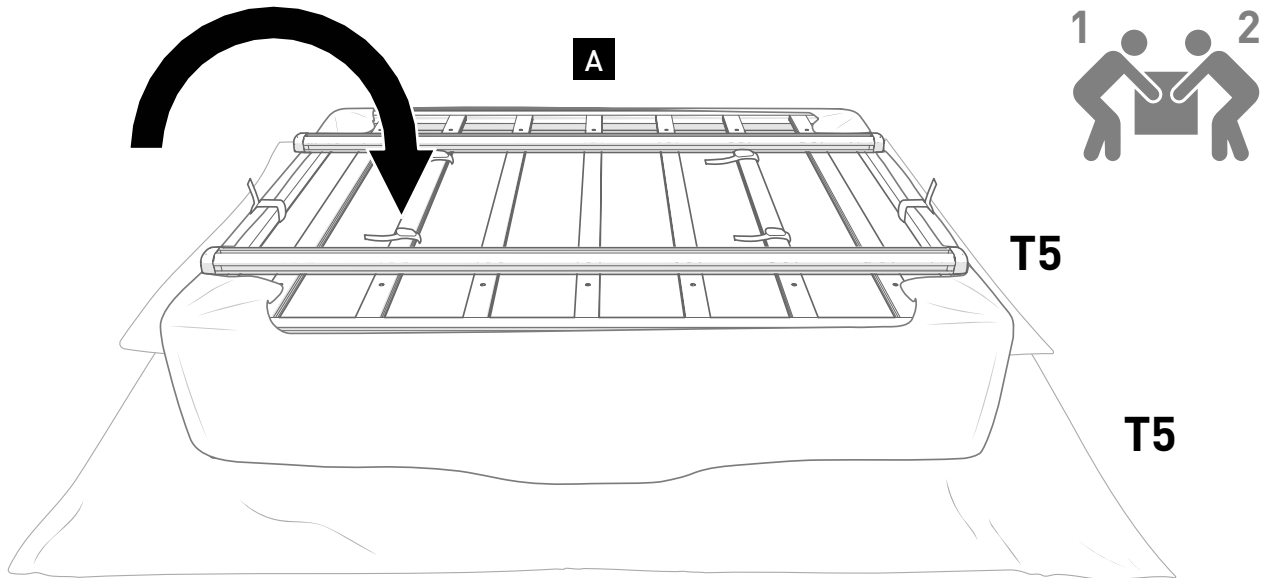
Mount brackets **D E** can remain on the roof rack system!



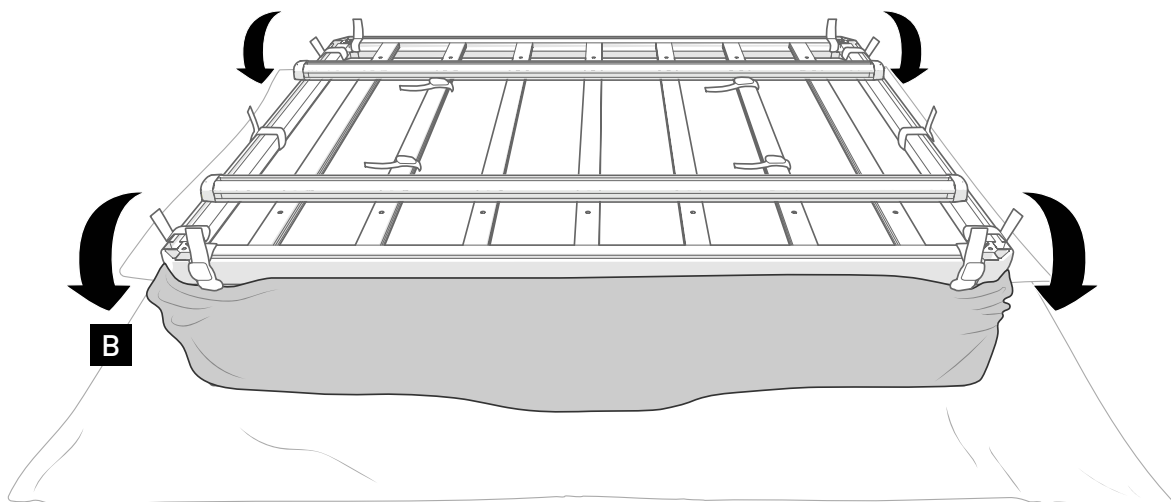
Additional steps for changing your underbar configuration:
 Only required for Set Ups 2 and 3 - Refer to page 8 and 9.
 Complete Steps **42** to **55** then proceed to Step **6**



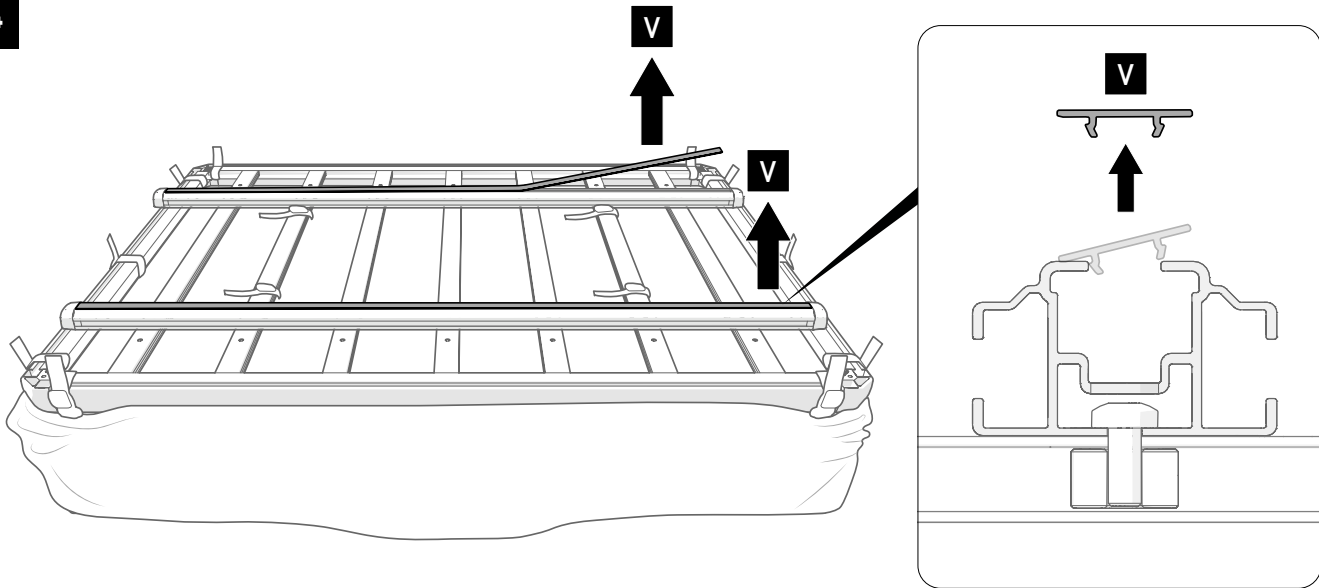
42



43

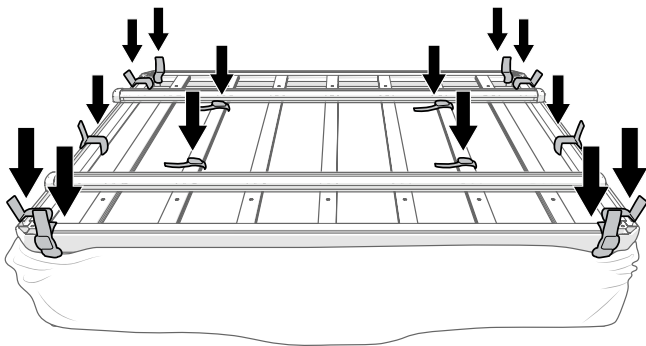


44

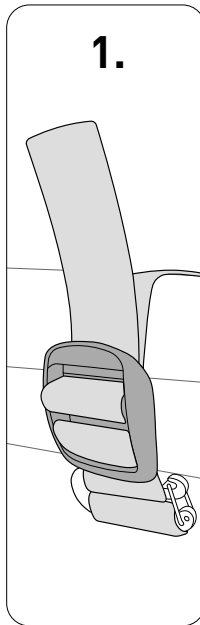


45

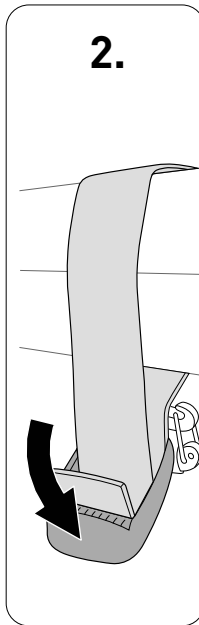
Undo all frame straps



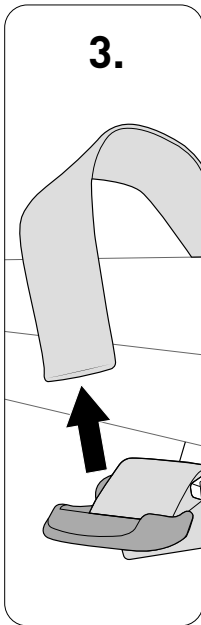
1.



2.

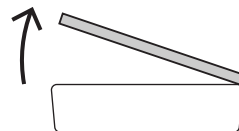
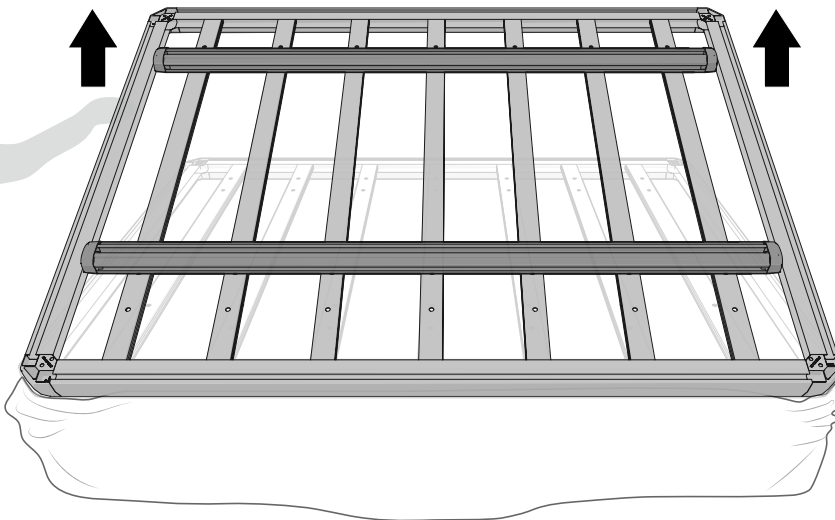
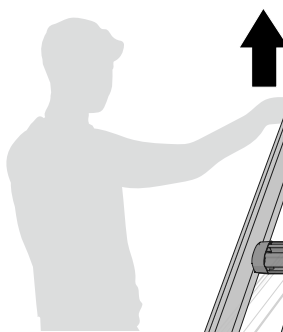


3.

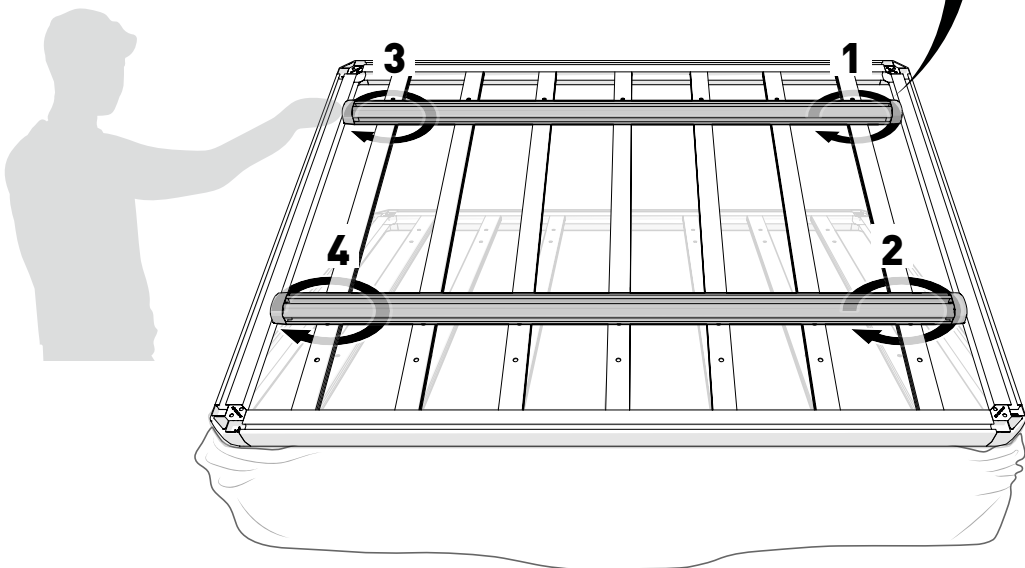
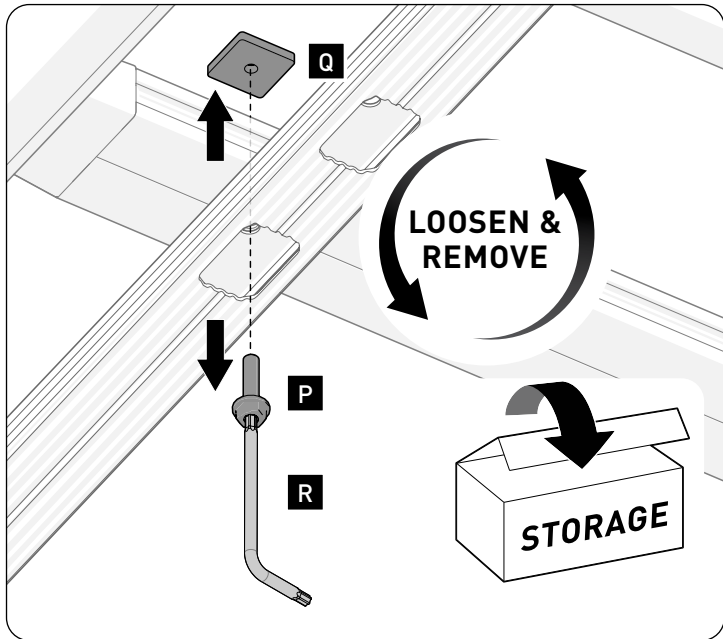


46

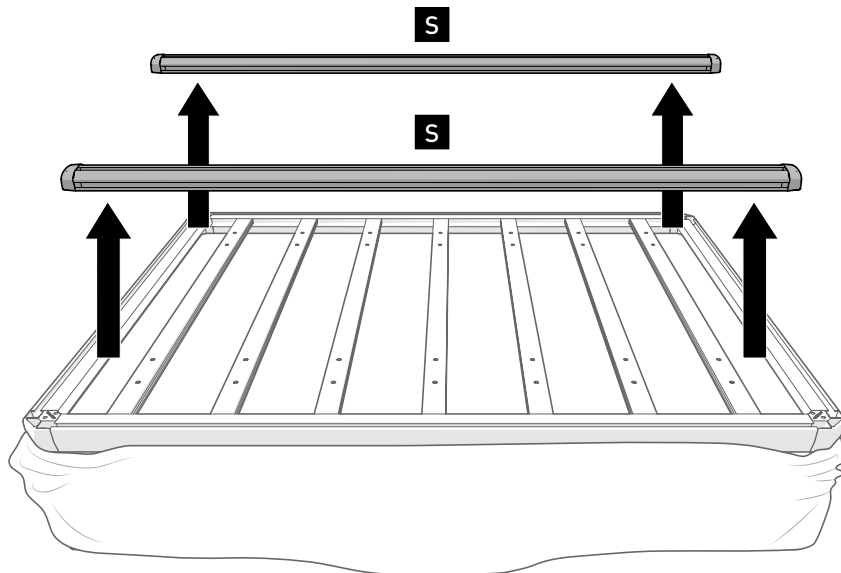
LIFT UNHINGED SIDE



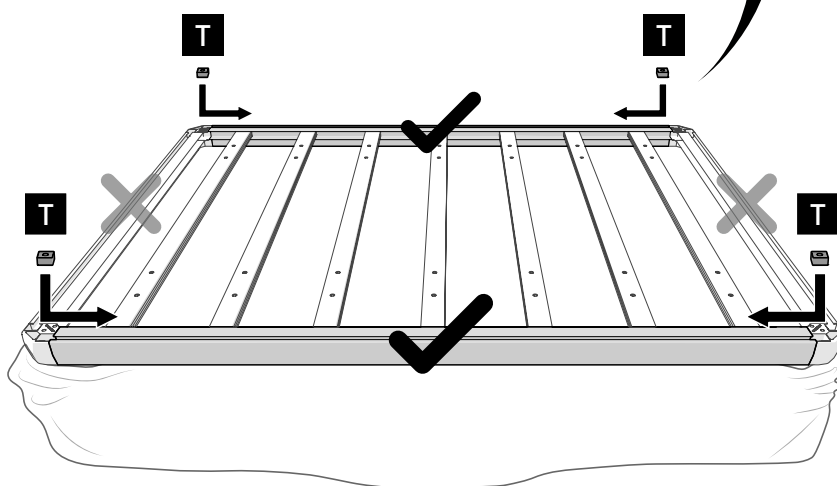
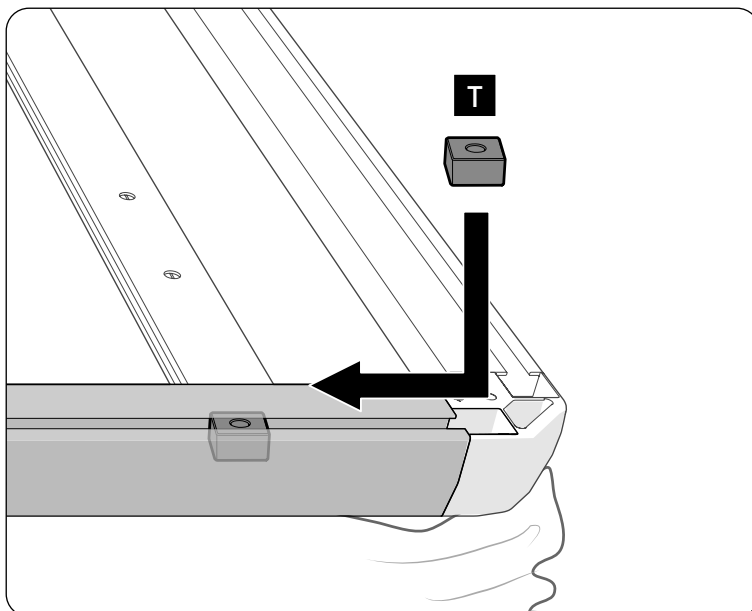
47



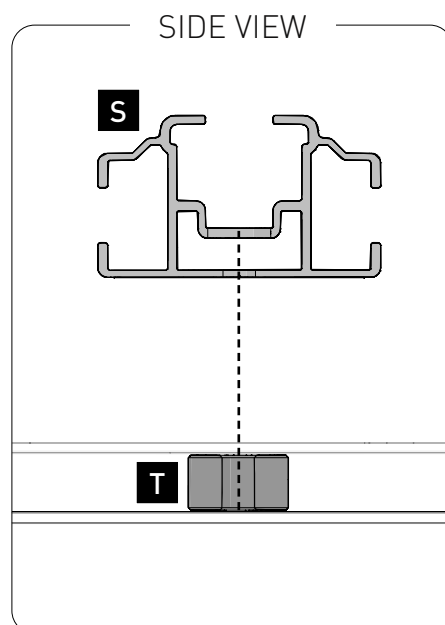
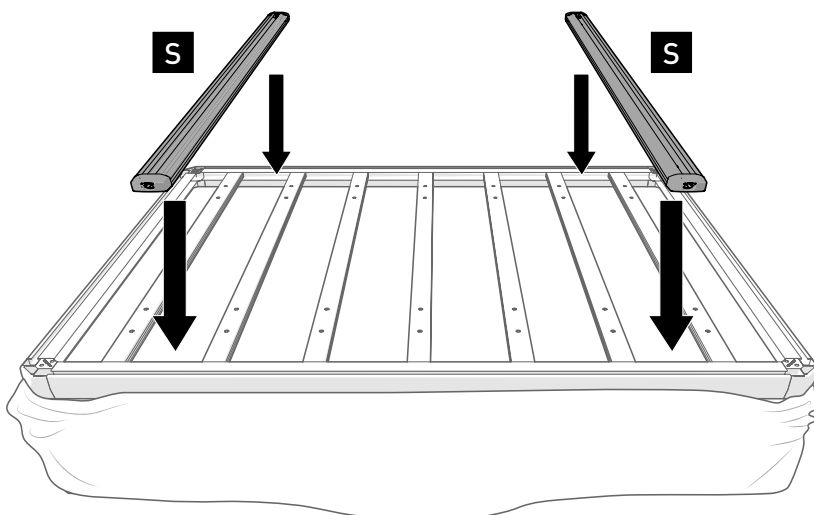
48



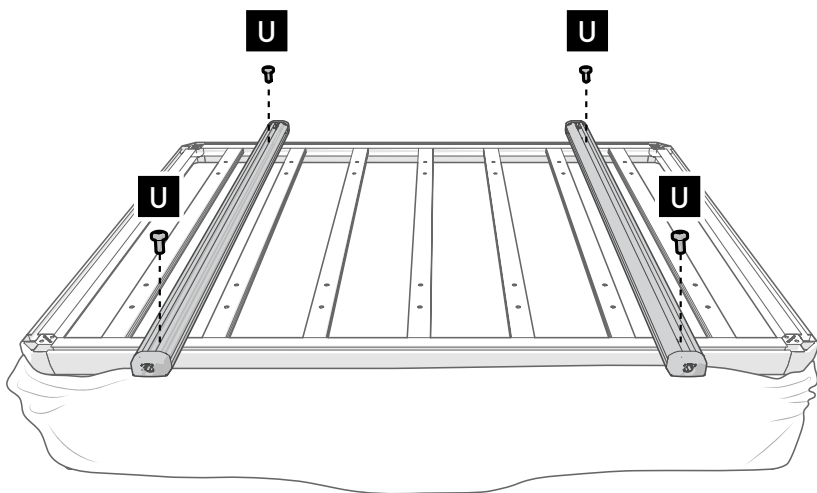
49



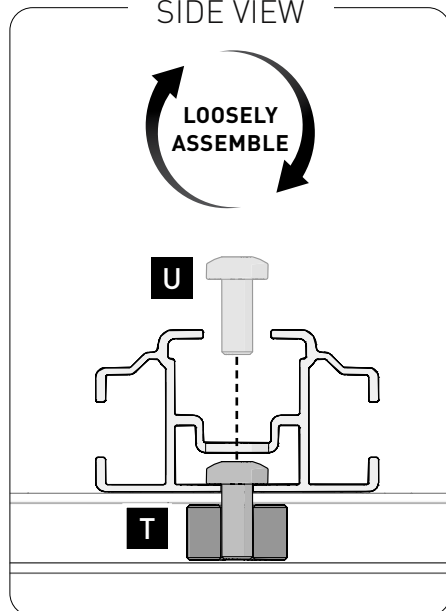
50



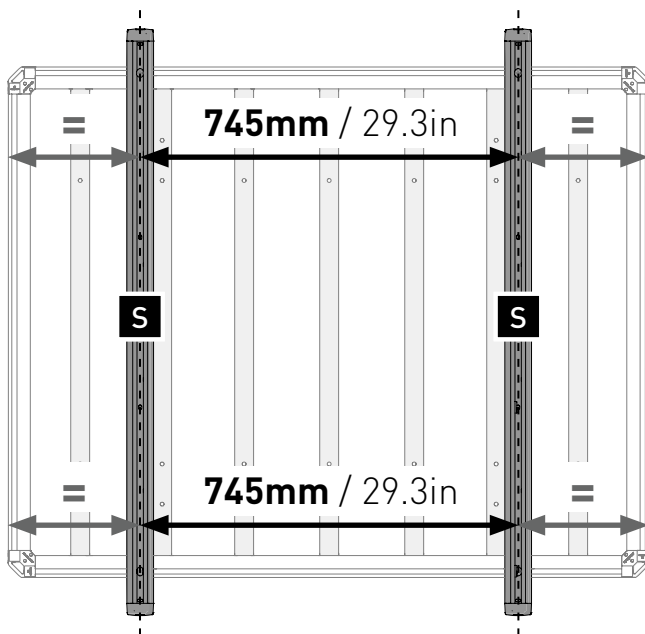
51



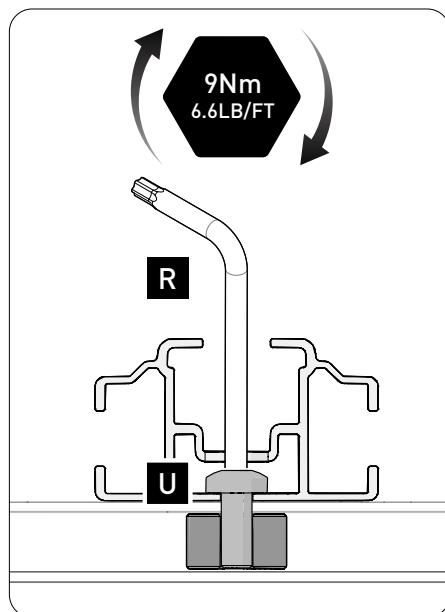
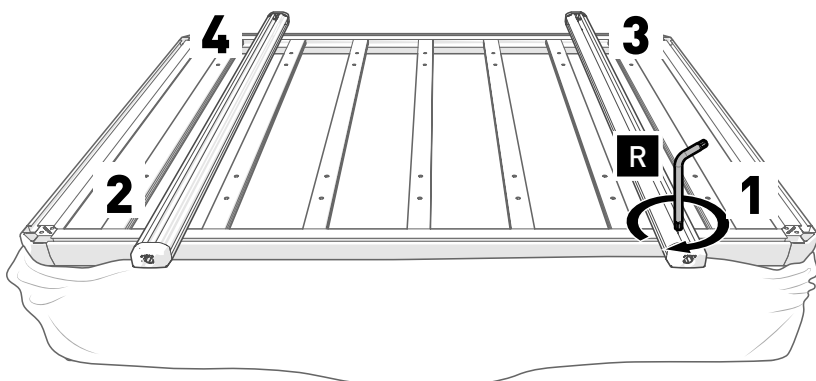
SIDE VIEW



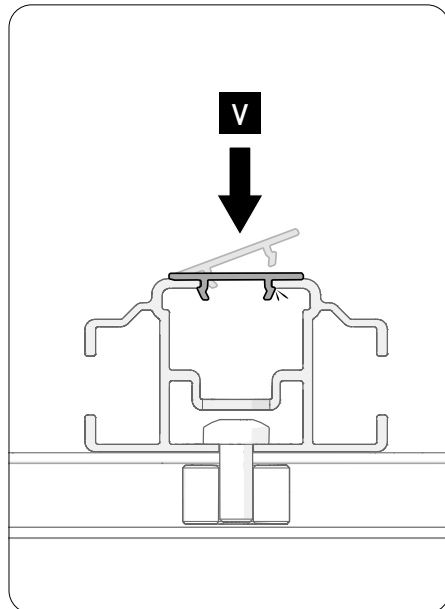
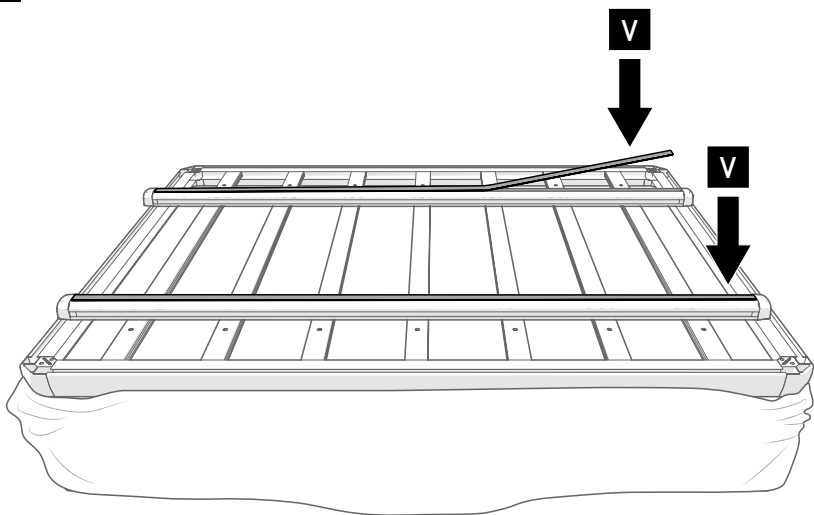
52



53

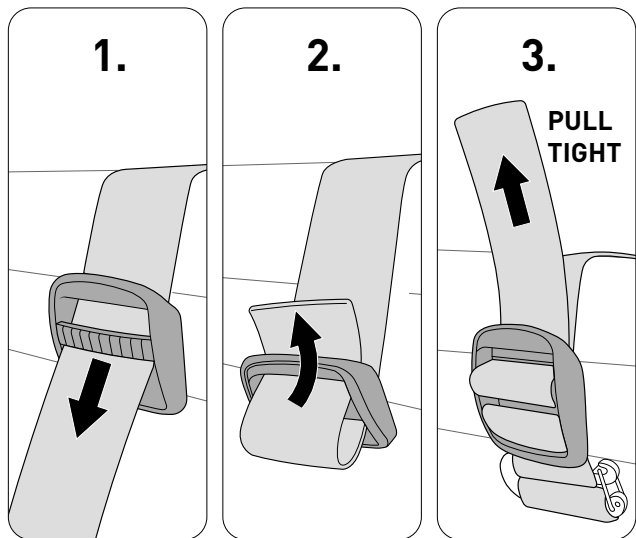
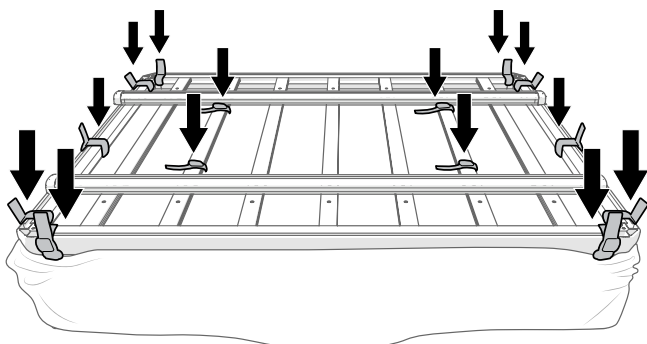


54



55

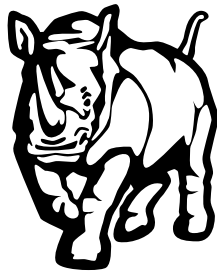
Refasten all frame straps



Once complete, continue to Step **6** on Page 12

NOTES

NOTES



RHINO-RACK®

MAKE SPACE FOR ADVENTURE

RHINORACK.COM

Rhino-Rack AUSTRALIA

22A Hanson Pl,
Eastern Creek, NSW, 2766

Rhino-Rack USA

19822 E 22nd Ave,
Aurora, CO, 80011