



# FITTING INSTRUCTIONS

PART NUMBER: SLB12010.

DESCRIPTION: SLB MNT KIT SUITS LC79 DC 12+

## NOTES:

- ◆ This product must be installed exactly as per these instructions.
- ◆ The installation of this product may require the use of specialised tools and/or techniques.
- ◆ It is recommended that this product is only installed by trained personnel.
- ◆ These instructions are correct at the date of publication. ARB Corporation Ltd. cannot be held responsible for the impact of any changes subsequently made by the vehicle manufacturer.
- ◆ During installation, it is the duty of the installer to check correct operation/clearances of all components.
- ◆ Ensure all electrical connections are correct and tight with good earth connection to the engine and/or chassis. Failure to do this may result in component failure or fire.
- ◆ Make sure all wires are securely fastened away from any hot, sharp or moving surfaces. Do not fasten any wires to the brake lines or fuel lines.
- ◆ Make sure that all electrical connections are strong and well insulated.
- ◆ Work safely at all times.

## BOM.

Part Number	Description	Quantity
37500116	Mounting Bracket LC79DC 12+	1
6152273	Nutsert M8	6
6151579	Bolt M8 25mm	6
4581044	Washer M8	10
6151765	Bolt M8 65mm	4
6151650	Screw M5 x 20mm	2
4300100	Wiring Kit Batt Slimline Input	1

## Fastener Torque Settings.

SIZE	Torque Nm	Torque lbft
M5	6	4.5
M6	9	7
M8	22	16

Table 1.

## ARB 4x4 ACCESSORIES

Corporate Head Office

42-44 Garden St  
Kilsyth, Victoria  
AUSTRALIA, 3137

Tel: +61 (3) 9761 6622  
Fax: +61 (3) 9761 6807

Australian enquiries  
North & South American enquiries  
Other international enquiries

sales@arb.com.au  
sales@arbusa.com  
exports@arb.com.au

[www.arb.com.au](http://www.arb.com.au)



Do not pull on the wiring harness forcefully



Do not connect wiring harness to engine

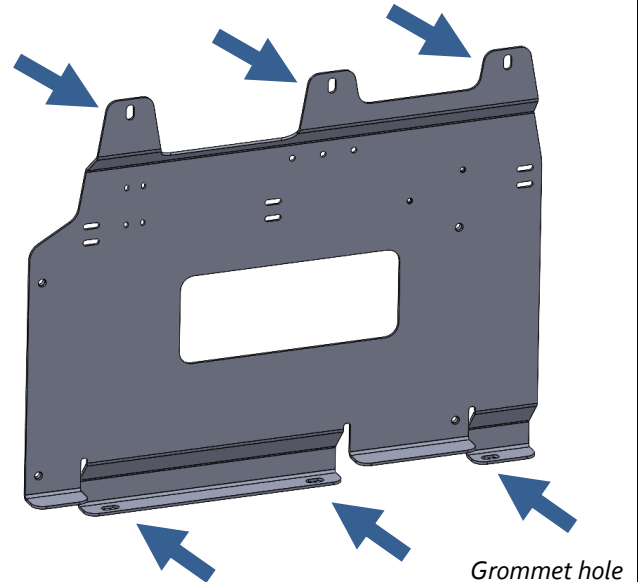


Ensure all connections are tight and pushed home

## FITTING PROCEDURE:

1. Disconnect the start battery negative (-) terminal, then the positive (+) terminal.
2. Fold down rear seats to gain access to the rear cabin wall.
3. Remove vehicle grommet from cabin floor.
4. Temporarily install the Mounting Bracket. The Mounting Bracket LH floor hole should align with the floor grommet as indicated.
5. Mark the two nutsert locations on the vehicle floor. (the existing grommet hole is also used).
6. Mark the three hole locations on the vehicle rear cabin wall.
7. Remove Mounting Bracket.
8. Drill out the five marked holes on the vehicle cabin wall and floor.
9. Drill out the floor grommet hole.
10. Take the supplied Nutserts M8 and install in the drilled holes.

For M8 nutsert, recommended drill size  $\varnothing 11.0\text{mm}$ .



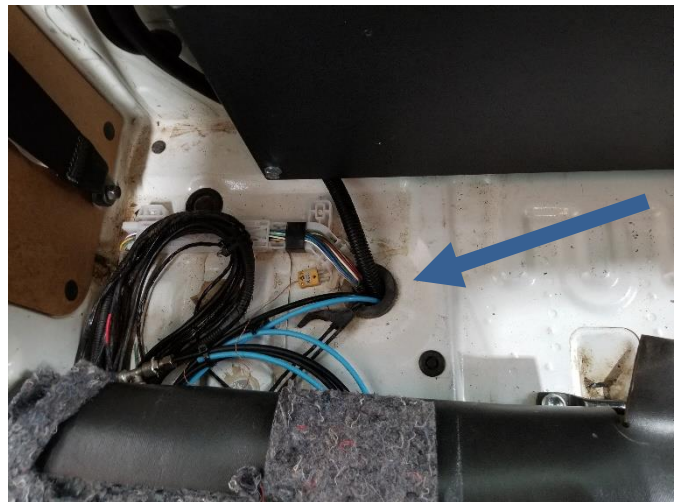
11. Secure Mounting Bracket LC79DC against the cabin wall.
12. Install six supplied Bolts M8x25mm and Washers M8 through battery bracket cabin wall and floor holes.
13. Torque to required torque setting as per Table 1.
14. Place Slimline battery (sold separately) on Mounting Bracket.
15. Install the four Bolts M8x65mm and Washers M8 into the battery mounting holes.
16. Torque to required torque setting as per Table 1.



17. Ensure the slimline battery rocker switch is OFF before the harness installation.
18. Locate fuse holder, 60amp fuse, 300mm cable and 6.0m cable from kit.
19. Install the 60amp fuse into the holder.
20. Install the 300mm cable M5 ring terminal onto the fuse holder.
21. Install the 6.0m cable M5 ring terminal onto opposite end of fuse holder.



22. Route 6.0m cable from vehicle start battery, down beneath the vehicle cabin, up through the cabin floor grommet (as indicated) to the Slimline Battery.
23. Take M8 ring terminals from kit. Cut positive 6.0m cable to required length and crimp the M8 ring terminal onto the cable. Cover with supplied red heat shrink.
24. On battery terminal block, remove fastener labelled "Alt +" and install the positive ring terminal onto the terminal block.
25. Torque to required torque setting as per Table 1.



26. Locate 1.2m cable with ring terminal from kit.
27. On slimline battery terminal block, remove fastener labelled "Alt -" and install the negative ring terminal with cable onto the terminal block.
28. ARB recommend the ground terminal be installed atop the seat mounting bracket as indicated.
29. Cut negative cable to required length and crimp the M12 ring terminal from kit onto the cable. Cover with supplied black heat shrink.
30. Remove seat support bolt, install M12 ring terminal with cable onto seat mounting bracket and fasten with original bolt.
31. Torque all to required torque setting as per Table 1.
32. Install the positive 300mm cable M8 ring terminal on the vehicle start battery.





Installation of power output cables (sold seperately).

33. Locate fuse holder, 60amp fuse, 300mm cable, 4.0m twin cable from kit.
34. On battery terminal block, remove fastener labelled "Output +" and install the positive 300mm cable ring terminal.
35. On battery terminal block, remove fastener labelled "Output -" and install the 4.0m negative cable ring terminal.
36. Torque all to required torque setting as per Table 1.
37. Install fuse holder on Mounting Bracket with Screws M5x20mm.
38. Install 60amp fuse into fuse holder.
39. Install 300mm positive cable ring terminal onto fuse.
40. Install 4.0m positive cable ring terminal onto opposite end of fuse.
41. For this vehicle, ARB recommend the power output cables exit the vehicle RH rear cabin wall grommet as indicated. Route 4.0m positive cable through grommet to desired location.



Low Voltage alternator connection.

For this vehicle, its not necessary to connect the Low Voltage terminal to a vehicle ignition source. However, if connection is preferred, complete the Steps below.

42. In the supplied wiring kit, locate the 6.0m blue wire, connect the ring terminal to the Low Voltage terminal as shown.
43. Route the blue wire to a suitable vehicle ignition source and connect accordingly. A suitable ignition source maybe a DC socket or fuse tap into the fuse box.



44. Reconnect the start battery positive (+) terminal, then the negative (-) terminal.
45. Turn ON Slimline Battery rocket switch.
46. Check App Connectivity. Connect to the Slimline Battery and confirm the battery status is available via the App.
47. Check LED indicator. The Green LED should illuminate Solid to indicate full charge, or flash (1 flash / 10sec) to indicate the idle state.
48. Check Vehicle Charging. Start the vehicle engine, the Green LED should flash (2 flashes / 5 sec) to indicate the battery is charging.

