



FITTING INSTRUCTIONS

PART NUMBER: SLB14010.

DESCRIPTION: SLB MNT KIT SUIT HILUX 15+

NOTES:

- ◆ This product must be installed exactly as per these instructions.
- ◆ The installation of this product may require the use of specialised tools and/or techniques.
- ◆ It is recommended that this product is only installed by trained personnel.
- ◆ These instructions are correct at the date of publication. ARB Corporation Ltd. cannot be held responsible for the impact of any changes subsequently made by the vehicle manufacturer.
- ◆ During installation, it is the duty of the installer to check correct operation/clearances of all components.
- ◆ Ensure all electrical connections are correct and tight with good earth connection to the engine and/or chassis. Failure to do this may result in component failure or fire.
- ◆ Make sure all wires are securely fastened away from any hot, sharp or moving surfaces. Do not fasten any wires to the brake lines or fuel lines.
- ◆ Make sure that all electrical connections are strong and well insulated.
- ◆ Work safely at all times.

BOM.

Part Number	Description	Quantity
3755964	Mounting Bracket HILUX 15+	1
3195827	Nut Stick Plate SL Batt	2
6152273	Nutsert M8	1
6151579	Bolt M8 x 25mm	3
6151765	Bolt M8 x 65mm	4
4581044	Washer M8	7
4581302	Spacer 4mm M8	3
6151017	Bolt M6 x 16mm	2
4584369	Washer M6	2
4581084	Spacer 2.8mm M6	2
6151864	Nut Clinch M5	2
6151650	Screw M5 x 20mm	2
4300100	Wiring Kit Batt Slimline Input	1

Fastener Torque Settings.

SIZE	Torque Nm	Torque lbft
M5	6	4.5
M6	9	7
M8	22	16

Table 1.

ARB 4x4 ACCESSORIES

Corporate Head Office

42-44 Garden St
Kilsyth, Victoria
AUSTRALIA, 3137

Tel: +61 (3) 9761 6622
Fax: +61 (3) 9761 6807

Australian enquiries
North & South American enquiries
Other international enquiries

sales@arb.com.au
sales@arbusa.com
exports@arb.com.au

www.arb.com.au



Do not pull on the wiring harness forcefully



Do not connect wiring harness to engine



Ensure all connections are tight and pushed home

FITTING PROCEDURE:

1. Disconnect the start battery negative (-) terminal, then the positive (+) terminal.
2. The rear bench seat requires removal. Lift the seat base to gain access to the seat retaining screws.
3. Remove five seat retaining nuts.
4. Lift bench seat to disconnect rear retaining inserts at top.
5. Stow bench seat forward to gain access to the rear cabin wall.



6. The rear cabin fabric trim requires removal. Pull upper plastic trim panel forward to disconnect all clips. The panel does not require complete removal, leave panel loose to allow fabric trim to be removed.
7. Remove all retaining clips securing the fabric trim.
8. Disconnect fabric trim from beneath plastic trim.
9. The fabric trim only requires disconnection on the drivers side. Fold back to gain access to the rear cabin wall.



10. Temporarily install the Mounting Bracket and mark the bottom right hole location.
11. Remove Mounting Bracket and drill nutsert hole in the cabin crossmember at marked hole location.
12. Take the supplied Nutserts M8 and install in the drilled cabin holes.

For M8 nutsert, recommended drill size $\varnothing 11.0\text{mm}$.

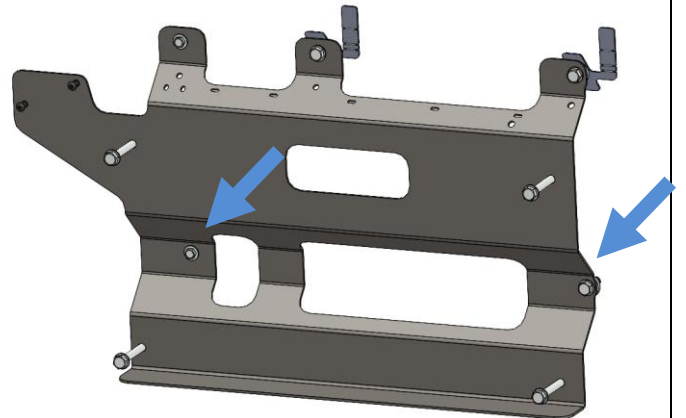
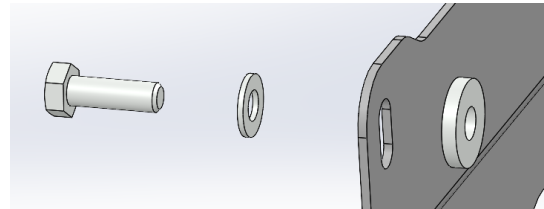


13. Temporarily install fabric trim, allowing room to reach behind the trim.
14. Mark and cut three holes in the fabric trim where the Mounting Bracket fasteners will be installed. The holes should be large enough for the M8 spacers to contact the vehicle metal cross member.

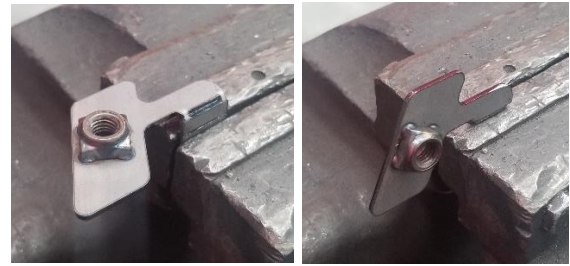
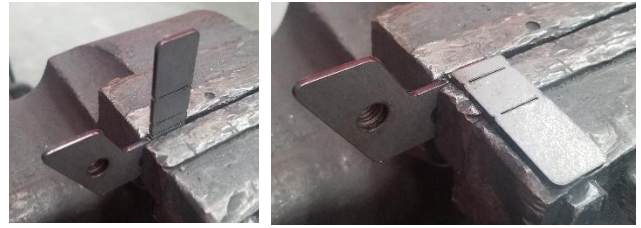
IMPORTANT. Metal to metal contact is important to ensure the fasteners will not loosen.



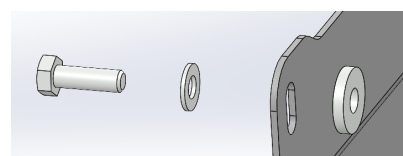
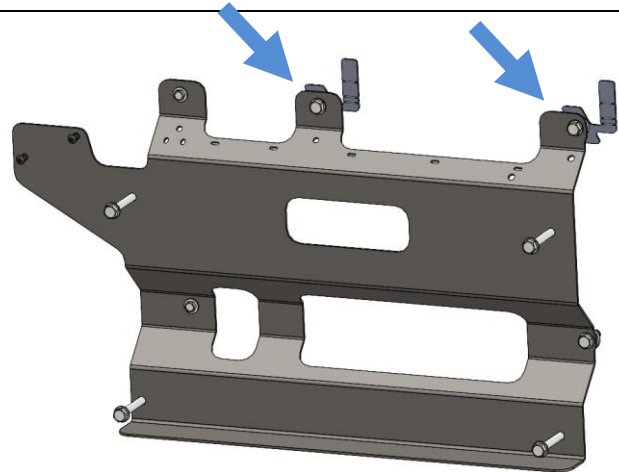
15. Install base left fastener as per image - Bolt M6x16mm and Washers M6 through Mounting Bracket holes, install Spacers 2.8mm M6 between Mounting Bracket and vehicle crossmember.
16. Install base right fastener as per image - Bolt M8x25mm and Washers M8 through Mounting Bracket holes, install Spacers 4mm M8 between Mounting Bracket and vehicle crossmember.
17. Loosely tighten both fasteners so the Mounting Bracket can move freely.



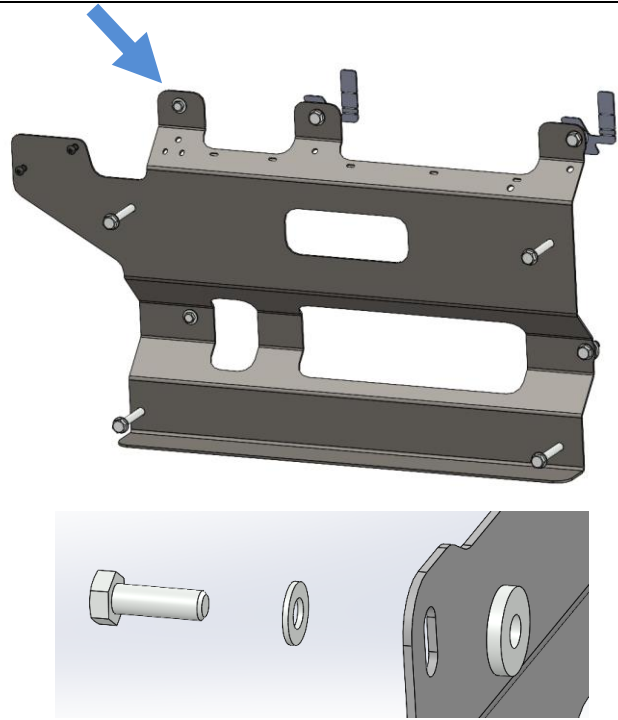
18. Take Nut Stick Plate and place in vice. Complete two folds to allow Nut Stick Plate to fit into the Hilux cross member easily.



- 19. Insert Nut Stick Plate inside rear cabin crossmember as shown (fabric trim not shown in this image but should be installed).
- 20. Install Bolt M8x25mm and Washers M8 through Mounting Bracket centre hole, install Spacers 4mm M8 between Mounting Bracket and Nut Stick Plate.
- 21. Install Bolt M8x25mm and Washers M8 through Mounting Bracket right hole, install Spacers 4mm M8 between Mounting Bracket and Nut Stick Plate.



22. Install top left fastener as per image - Bolt M6x16mm and Washers M6 through Mounting Bracket holes, install Spacer 2.8mm M6 between Mounting Bracket and Nut Stick Plate.



23. Tighten all five fasteners.
24. Torque to required torque setting as per Table 1.
25. The fabric trim can now be secured. Install all plastic retaining clips.



26. Place Slimline battery (sold separately) on Mounting Bracket.
27. Install the four Bolts M8x65mm and Washers M8 into the battery mounting holes.
28. Torque to required torque setting as per Table 1.



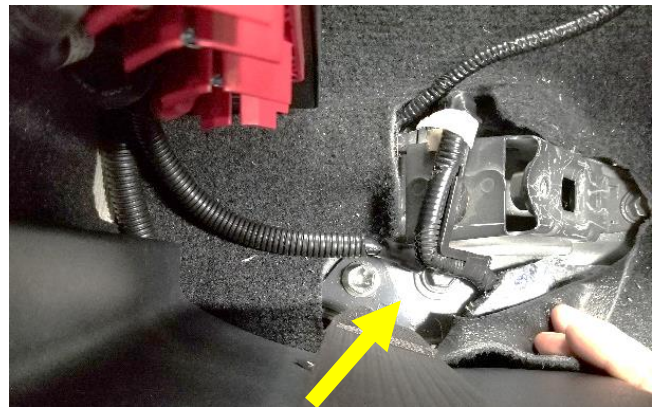
29. Ensure the slimline battery rocker switch is OFF before the harness installation.
30. Locate fuse holder, 60amp fuse, 300mm cable and 6.0m cable from kit.
31. Install the 60amp fuse into the holder.
32. Install the 300mm cable M5 ring terminal onto the fuse holder.
33. Install the 6.0m cable M5 ring terminal onto opposite end of fuse holder.



34. Route 6.0m cable from vehicle start battery, through the firewall grommet, beneath door sill panels to the slimline battery.
35. Take M8 ring terminals from kit. Cut positive 6.0m cable to required length and crimp the M8 ring terminal onto the cable. Cover with supplied red heat shrink.
36. On battery terminal block, remove fastener labelled "Alt +" and install the positive ring terminal onto the terminal block.
37. Torque to required torque setting as per Table 1.



38. Locate 1.2m cable with ring terminal from kit.
39. On slimline battery terminal block, remove fastener labelled "Alt -" and install the negative ring terminal with cable onto the terminal block.
40. ARB recommend the ground terminal be installed beneath the right hand side rear seat support bolt.
41. Cut negative cable to required length and crimp the M8 ring terminal from kit onto the cable. Cover with supplied black heat shrink.
42. Remove seat support bolt, install M8 ring terminal with cable onto seat support bolt and fasten with original bolt.
43. Install the positive 300mm cable M8 ring terminal on the vehicle start battery.
44. Torque all to required torque setting as per Table 1.



Installation of power output cables (sold separately).

45. Locate fuse holder, 60amp fuse, 300mm cable, 4.0m twin cable from kit.
46. On battery terminal block, remove fastener labelled "Output +" and install the positive 300mm cable ring terminal.
47. On battery terminal block, remove fastener labelled "Output -" and install the 4.0m negative cable ring terminal.
48. Torque all to required torque setting as per Table 1.



- 49. Install fuse holder on Mounting Bracket with Screws M5x20mm.
- 50. Install 60amp fuse into fuse holder.
- 51. Install 300mm positive cable ring terminal onto fuse.
- 52. Install 4.0m positive cable ring terminal onto opposite end of fuse.
- 53. For this vehicle, ARB recommend the power output cables exit the vehicle right hand side rear cabin wall grommet. Route 4.0m positive cable through grommet to desired location.



Low Voltage alternator connection.

For this vehicle, its not necessary to connect the Low Voltage terminal to a vehicle ignition source. However, if connection is preferred, complete the Steps below.

- 54. In the supplied wiring kit, locate the 6.0m blue wire, connect the ring terminal to the Low Voltage terminal as shown.
- 55. Route the blue wire to a suitable vehicle ignition source and connect accordingly. A suitable ignition source maybe a DC socket or fuse tap into the fuse box.



- 56. Reconnect the start battery positive (+) terminal, then the negative (-) terminal.
- 57. Turn ON Slimline Battery rocket switch.
- 58. Check App Connectivity. Connect to the Slimline Battery and confirm the battery status is available via the App.
- 59. Check LED indicator. The Green LED should illuminate Solid to indicate full charge, or flash (1 flash / 10sec) to indicate the idle state.
- 60. Check Vehicle Charging. Start the vehicle engine, the Green LED should flash (2 flashes / 5 sec) to indicate the battery is charging.



- 61. To reinstall vehicle bench seat, lift the seat base as install the retaining insert.
- 62. Install seat retaining nuts.
- 63. Torque to required torque setting as per Table 1.